

## Pressure sensors SDE1, with display

**FESTO**



- Five pressure measuring ranges
- Measurement of relative or differential pressure
- Switch outputs PNP, NPN and with analogue current or voltage output
- LCD or illuminated LCD display
- Wide range of connection and mounting options


## Pressure sensors SDE1, with display

Product range overview – Pre-assembled pressure sensors

Pressure measuring range	Electrical output				Display, setting		Electrical connection	
	1 switch output PNP	2 switch outputs PNP	1 switch output PNP and 0 ... 10 V analogue	1 switch output PNP and 4 ... 20 mA analogue	LCD	Illuminated LCD	M8x1	M12x1
0 ... -1 bar	Female thread G $\frac{1}{8}$ , for H-rail mounting, relative pressure measurement							
	■	-	-	-	■	-	■	-
	-	■	-	-	■	-	■	-
	-	-	■	-	■	-	■	-
	■	-	-	-	-	■	■	-
	-	■	-	-	-	■	■	-
	-	-	■	-	-	■	■	-
	Female thread G $\frac{1}{8}$ , for wall or surface mounting, relative pressure measurement							
	■	-	-	-	-	■	-	■
	-	-	-	■	-	-	■	-
	-	-	-	■	-	-	■	-
	Push-in fitting QS-4, for H-rail mounting, differential pressure and relative pressure measurement							
	■	-	-	-	■	-	■	-
	-	■	-	-	■	-	■	-
	-	-	■	-	■	-	■	-
	■	-	-	-	-	■	■	-
	-	■	-	-	-	■	■	-
	-	-	■	-	-	■	■	-

Pressure measuring range	Electrical output				Display, setting		Electrical connection	
	1 switch output PNP	2 switch outputs PNP	1 switch output PNP and 0 ... 10 V analogue	1 switch output PNP and 4 ... 20 mA analogue	LCD	Illuminated LCD	M8x1	M12x1
0 ... 2 bar	Female thread G $\frac{1}{8}$ , for wall or surface mounting, relative pressure measurement							
	■	-	-	-	-	■	■	-
	-	■	-	-	-	■	■	-
	Push-in fitting QS-4, for wall or surface mounting, differential pressure and relative pressure measurement							
-	■	-	-	-	■	-	■	-

Pressure measuring range	Electrical output				Display, setting		Electrical connection	
	1 switch output PNP	2 switch outputs PNP	1 switch output PNP and 0 ... 10 V analogue	1 switch output PNP and 4 ... 20 mA analogue	LCD	Illuminated LCD	M8x1	M12x1
0 ... 6 bar	Female thread G $\frac{1}{8}$ , for wall or surface mounting, relative pressure measurement							
	■	-	-	-	-	■	■	-
-	■	-	-	-	-	■	■	-

 **Note**  
Additional variants and accessories can be configured and ordered through the SDE1 modular system  
➔ 4 / 8.2-97.

## Pressure sensors SDE1, with display

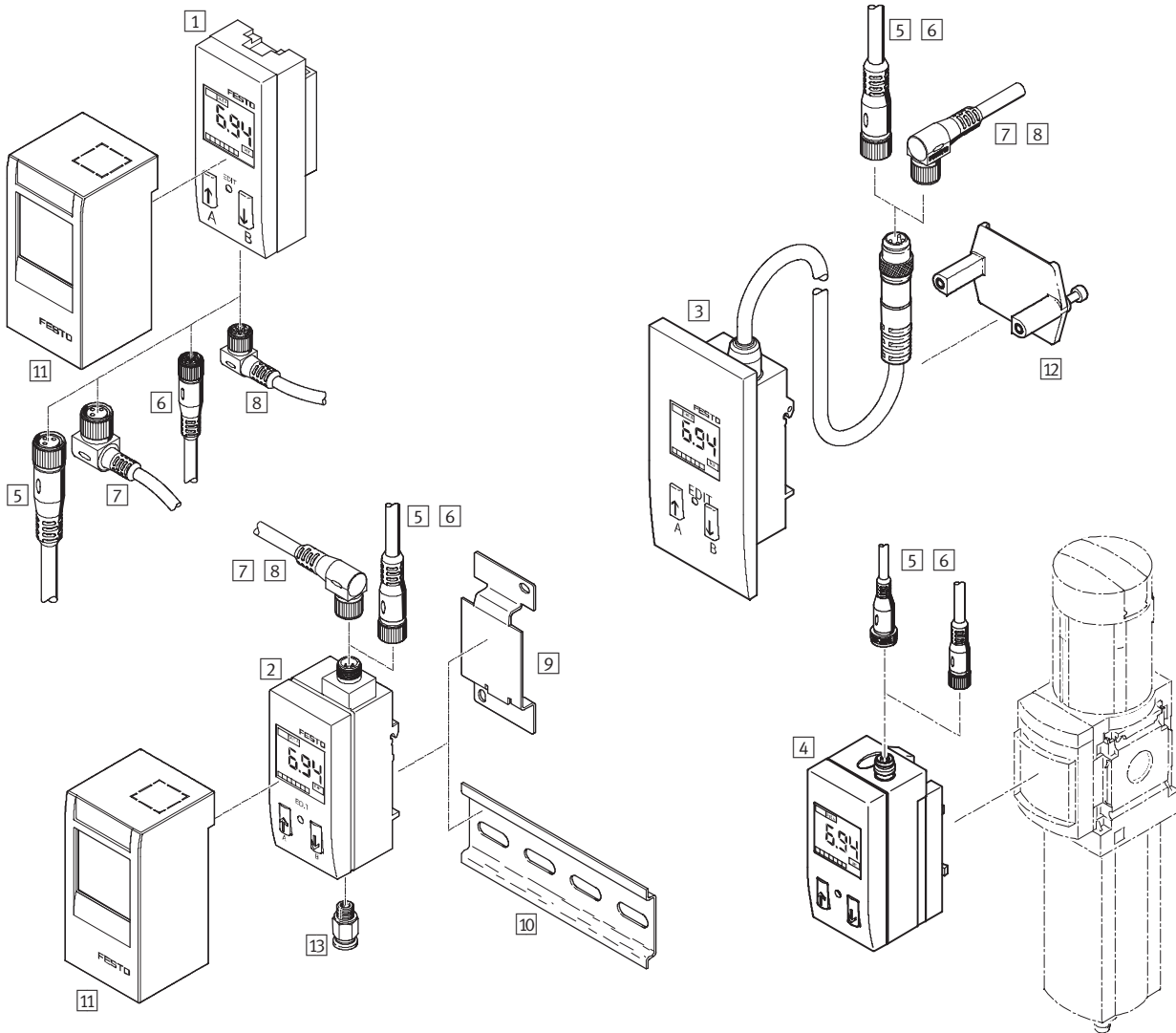
Product range overview – Pre-assembled pressure sensors



Pressure measuring range	Electrical output					Display, setting		Electrical connection	
	1 switch output PNP	2 switch outputs PNP	1 switch output PNP and 0 ... 10 V analogue	1 switch output PNP and 4 ... 20 mA analogue	2 switch outputs PNP and 1 switch output 4 ... 20 mA analogue	LCD	Illuminated LCD	M8x1	M12x1
0 ... 10 bar	Male thread R <sup>1</sup> / <sub>8</sub> , mounting on service unit (MS or D series), relative pressure measurement								
	■	-	-	-	-	■	-	■	-
	-	■	-	-	-	■	-	■	-
	-	-	■	-	-	■	-	■	-
	■	-	-	-	-	-	■	■	-
	-	■	-	-	-	-	■	■	-
	-	-	■	-	-	-	■	■	-
	■	-	-	-	-	-	■	-	■
	Male thread R <sup>1</sup> / <sub>4</sub> , mounting on service unit (MS or D series), relative pressure measurement								
	■	-	-	-	-	■	-	■	-
	-	■	-	-	-	■	-	■	-
	-	-	■	-	-	■	-	■	-
	■	-	-	-	-	-	■	■	-
	-	■	-	-	-	-	■	■	-
	-	-	■	-	-	-	■	■	-
	■	-	-	-	-	-	■	-	■
	Female thread G <sup>1</sup> / <sub>8</sub> , for H-rail mounting, relative pressure measurement								
	■	-	-	-	-	■	-	■	-
	-	■	-	-	-	■	-	■	-
	-	-	■	-	-	■	-	■	-
	■	-	-	-	-	-	■	■	-
	-	■	-	-	-	-	■	■	-
	-	-	■	-	-	-	■	■	-
	Female thread G <sup>1</sup> / <sub>8</sub> , for wall or surface mounting, relative pressure measurement								
	-	-	■	-	-	-	■	■	-
	■	-	-	-	-	-	■	-	■
	-	-	-	■	-	-	■	■	-
	-	-	-	■	-	-	■	-	■
	-	-	-	-	■	-	■	-	■
	Push-in fitting QS-4, for H-rail mounting, differential pressure and relative pressure measurement								
	■	-	-	-	-	■	-	■	-
	-	■	-	-	-	■	-	■	-
	-	-	■	-	-	■	-	■	-
	■	-	-	-	-	-	■	■	-
	-	■	-	-	-	-	■	■	-
	-	-	■	-	-	-	■	■	-
	Push-in fitting QS-4, for front panel mounting, differential pressure and relative pressure measurement								
	■	-	-	-	-	-	■	■	-
	-	■	-	-	-	-	■	-	■
	■	-	-	-	-	-	■	■	-
	-	■	-	-	-	-	■	-	■

## Pressure sensors SDE1, with display

Peripherals overview



Accessories	Brief description	→ Page
<b>Pressure sensors</b>		
1	SDE1-...-R...-...	Male thread, mounting on service unit (MS or D series)
2	SDE1-...-H18-..., SDE1-...-W18-...	H-rail mounting, wall or surface mounting, with plug M8x1
3	SDE1-...-FQ4-...	for panel mounting, with cable and plug M8x1
4	SDE1-...-MS...-...	Direct connection to service units of the MS series
<b>Plug sockets with cable</b>		
5	SIM-M8-4GD-...	Straight socket, M8x1, 4-pin
6	SIM-M12-4GD-...	Straight socket, M12x1, 4-pin
7	SIM-M8-4WD-...	Angled socket, M8x1, 4-pin
8	SIM-M12-4WD-...	Angled socket, M12x1, 4-pin
<b>Mounting attachments</b>		
9	Adapter plate SDE1-...-W...	included in the scope of delivery for SDE1-...-W...
10	DIN mounting rail	to DIN EN 50022
11	Protective cover SDE1-SH	-
12	Clamping plate	included in the scope of delivery for SDE1-...-FQ4-...
13	Push-in fitting QS-1/8-...	for compressed air tubing with standard external diameters

## Pressure sensors SDE1, with display

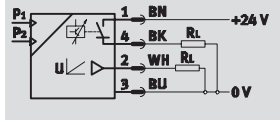
Type codes

		SDE1	-	D10	-	G2	-	W18	-	L	-	P1	-	M12	-	G5
<b>Type</b>																
SDE1	Pressure sensor with display															
<b>Pressure range</b>																
V1	0 ... -1 bar															
B2	-1 ... +1 bar															
D2	0 ... 2 bar															
D6	0 ... 6 bar															
D10	0 ... 10 bar															
<b>Absolute accuracy</b>																
G2	Accuracy 2%															
<b>Pneumatic connection, mounting, measured variable</b>																
R18	Male thread R $\frac{1}{8}$ , mounting on service unit															
R14	Male thread R $\frac{1}{4}$ , mounting on service unit															
MS4	Direct connection to service units of the MS4 series															
MS6	Direct connection to service units of the MS6 series															
H18	Female thread G $\frac{1}{8}$ , H-rail mounting															
W18	Female thread G $\frac{1}{8}$ , wall or surface mounting															
FQ4	Push-in fitting QS-4, front panel mounting															
HQ4	Push-in fitting QS-4, H-rail mounting															
WQ4	Push-in fitting QS-4, wall or surface mounting															
<b>Display, setting</b>																
C	LCD display with backlighting (user optimised)															
L	Illuminated LCD display (reading optimised)															
<b>Electrical output</b>																
P1	1 switch output PNP															
P2	2 switch outputs PNP															
PU	1 switch output PNP and 0 ... 10 V analogue															
PI	1 switch output PNP and 4 ... 20 mA analogue															
2I	2 switch outputs PNP and 4 ... 20 mA analogue															
N1	1 switch output NPN															
N2	2 switch outputs NPN															
NU	1 switch output NPN and 0 ... 10 V analogue															
NI	1 switch output NPN and 4 ... 20 mA analogue															
<b>Electrical connection</b>																
M8	Plug M8x1															
M12	Plug M12x1															
<b>Connecting cable</b>																
SIM cable with straight connection socket																
G	2.5 m long															
G5	5 m long															
SIM cable with angled connection socket																
W	2.5 m long															
W5	5 m long															

## Pressure sensors SDE1, with display

Technical data

Function<sup>1)</sup>



1) For example with 1 switch output PNP and 0 ... 10 V analogue

Voltage  
15 ... 30 V DC

Pressure  
-1 ... +10 bar

Temperature range  
0 ... 50 °C



General technical data		0 ... -1	-1 ... +1	0 ... 2	0 ... 6	0 ... 10
Pressure measuring range	[bar]					
<b>Mechanical</b>						
Method of measurement	Piezoresistive pressure sensor with display					
Pneumatic connection	R1/8, R1/4, G1/8 or QS-4					
Measured variable	Relative pressure					
	Differential pressure <sup>1)</sup>					
Type of display	LCD display with backlighting					
	Illuminated LCD display					
Accuracy FS <sup>2)</sup>	±2%					
Reproducibility of switching point	0.3%					
Setting	Teach-In					
Protection against manipulation	PIN-Code					
Electrical connection	Plug M8x1 or M12x1, round design to EN 60 947-5-2					
Type of mounting	Front panel mounting					
	On service unit					
	With H-rail mounting					
	With wall or surface mounting					
Mounting position	Any <sup>3)</sup>					
<b>Electrical</b>						
Switch output	PNP					
	NPN					
Switching element function	Switchable					
Switching function	Freely programmable					
Switching status display	LCD display					
Operating voltage range	[V DC]	15 ... 30				
Max. output current	[mA]	150				
Protection against short circuit	Pulsed					
Protection against polarity reversal	For all electrical connections					
CE marking symbol (see conformity declaration)	As per EU EMC directive					

1) Variants with push-in fitting QS-4

2) % FS = % of the measuring range final value (full scale)

3) The collection of condensate in the sensor should be prevented

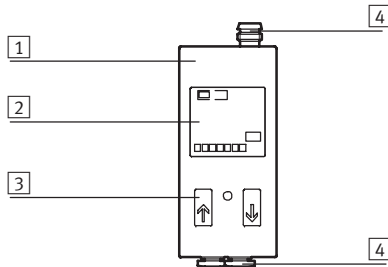
Weights [g]			
	Male thread R1/8 or R1/4	H-rail, wall or surface mounting	Front panel mounting
	95	70	150

## Pressure sensors SDE1, with display

Technical data

**FESTO**

### Materials



1	Housing	Polyacetate, reinforced Polyamide
2	Display	Polycarbonate
3	Buttons	Nitrile rubber
4	Plug, QS push-in fittings	Brass, nickel plated or chrome plated
-	Pressure gauge adapter	Brass, nickel plated or chrome plated
-	Seals	Nitrile rubber
-	Clamping plate	Polyamide, fibreglass reinforced
-	Adapter MS	Polyamide, fibreglass reinforced
-	Note on material	Free of copper and PTFE

Operating and environmental conditions						
Pressure measuring range	[bar]	0 ... -1	-1 ... +1	0 ... 2	0 ... 6	0 ... 10
Operating medium		Filtered compressed air, lubricated or unlubricated				
Threshold value setting range	[bar]	-0.02 ... -0.998	-0.999 ... +0.996	0.04 ... 1.996	0.12 ... 5.99	0.2 ... 9.98
Hysteresis setting range	[bar]	0 ... -0.9	-0.9 ... +0.9	0 ... 1.8	0 ... 5.4	0 ... 9
Overload pressure	[bar]	5	5	6	16	20
Ambient temperature	[°C]	0 ... 50				
Temperature of medium	[°C]	0 ... 50				
Corrosion resistance class CRC <sup>1)</sup>		2				
Protection class to EN 60 529		IP 65				
Certification		c UL us - Recognized (OL)				

- 1) Corrosion resistance class 2 according to Festo standard 940 070  
Components requiring moderate corrosion resistance. Externally visible parts with primarily decorative surface requirements which are in direct contact with a normal industrial environment or media such as coolants or lubricating agents.

## Pressure sensors SDE1, with display

Technical data

Electrical outputs <sup>1)</sup>	Pin allocations		
<b>1 switch output PNP</b>			
Variant P1 with plug M8		1 = +24 V 3 = 0 V 4 = Output A	
Variant P1 with plug M12		1 = +24 V 3 = 0 V 4 = Output A	
<b>2 switch outputs PNP</b>			
Variant P2 with plug M8		1 = +24 V 2 = Output B 3 = 0 V 4 = Output A	
Variant P2 with plug M12		1 = +24 V 2 = Output A 3 = 0 V 4 = Output B	
<b>1 switch output PNP and 0 ... 10 V analogue</b>			
Variant PU with plug M8		1 = +24 V 2 = Output B (0 ... 10 V analogue) 3 = 0 V 4 = Output A	
Variant PU with plug M12		1 = +24 V 2 = Output A 3 = 0 V 4 = Output B (0 ... 10 V analogue)	
<b>1 switch output PNP and 4 ... 20 mA analogue</b>			
Variant PI with plug M8		1 = +24 V 2 = Output B (4 ... 20 mA analogue) 3 = 0 V 4 = Output A	
Variant PI with plug M12		1 = +24 V 2 = Output A 3 = 0 V 4 = Output B (4 ... 20 mA analogue)	
<b>2 switch outputs PNP and 4 ... 20 mA analogue</b>			
Variant 2I with plug M12		1 = +24 V 2 = Output B 3 = 0 V 4 = Output A 5 = Output C (4 ... 20 mA analogue)	

1) Core colours indicated apply when using plug sockets with cable SIM-...



# Pressure sensors SDE1, with display

Technical data

Electrical outputs <sup>1)</sup>		Pin allocations	
<b>1 switch output NPN</b>			
Variant N1 with plug M8		1 = +24 V 3 = 0 V 4 = Output A	
Variant N1 with plug M12		1 = +24 V 3 = 0 V 4 = Output A	
<b>2 switch outputs NPN</b>			
Variant N2 with plug M8		1 = +24 V 2 = Output B 3 = 0 V 4 = Output A	
Variant N2 with plug M12		1 = +24 V 2 = Output A 3 = 0 V 4 = Output B	
<b>1 switch output NPN and 0 ... 10 V analogue</b>			
Variant NU with plug M8		1 = +24 V 2 = Output B (0 ... 10 V analogue) 3 = 0 V 4 = Output A	
Variant NU with plug M12		1 = +24 V 2 = Output A 3 = 0 V 4 = Output B (0 ... 10 V analogue)	
<b>1 switch output NPN and 4 ... 20 mA analogue</b>			
Variant NI with plug M8		1 = +24 V 2 = Output B (4 ... 20 mA analogue) 3 = 0 V 4 = Output A	
Variant NI with plug M12		1 = +24 V 2 = Output A 3 = 0 V 4 = Output B (4 ... 20 mA analogue)	

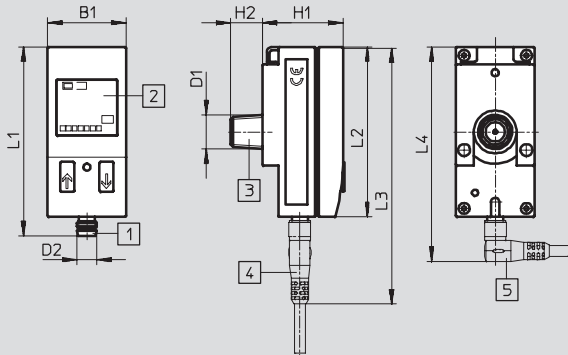
1) Core colours indicated apply when using plug sockets with cable SIM-...

## Pressure sensors SDE1, with display

Technical data

**FESTO**

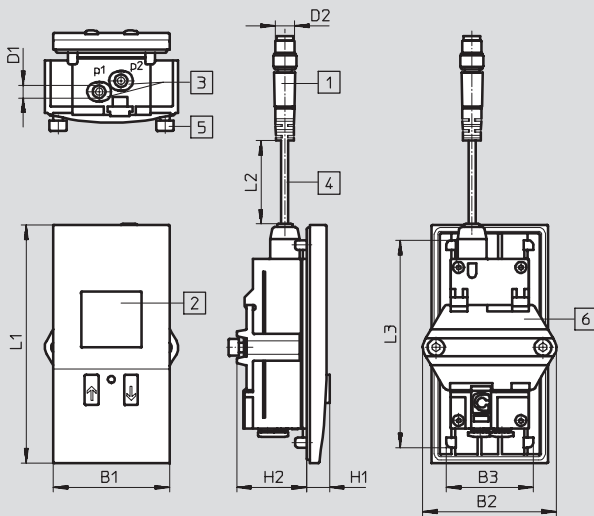
### Dimensions – Mounting using male thread R $\frac{1}{8}$ or R $\frac{1}{4}$



- 1 Plug M8x1 or M12x1 to EN 60 947-5-2
- 2 LCD display
- 3 Adapter for pneumatic connection
- 4 Connection socket, straight
- 5 Connection socket, angled

Type	B1	D1	D2	H1	H2	L1	L2	L3	L4
SDE1-...-R18-M8	32.3	R $\frac{1}{8}$	M8	33	13	78	70	107	89
SDE1-...-R14-M8		R $\frac{1}{4}$							
SDE1-...-R18-M12	32.3	R $\frac{1}{8}$	M12	33	13	87	70	125	104
SDE1-...-R14-M12		R $\frac{1}{4}$							

### Dimensions – Front panel mounting



- 1 Plug M8x1 or M12x1 to EN 60 947-5-2
- 2 LCD display
- 3 Pneumatic connection QS-4
- 4 Connecting cable
- 5 Mounting screw M4x25 to DIN 912
- 6 Clamping plate

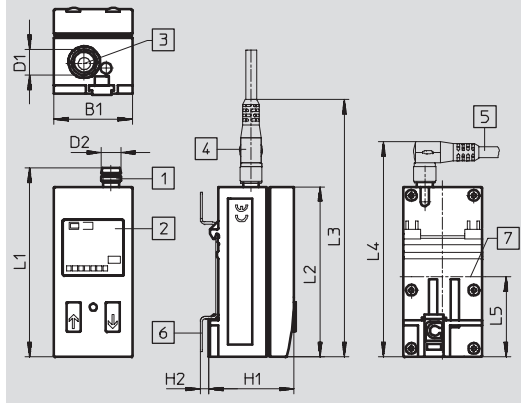
Type	B1	B2	B3	D1	D2	H1	H2	L1	L2	L3
SDE1-...-FQ4-M8	48	55	35.8	QS-4	M8x1	8.1	28.85	98	320	85.3
SDE1-...-FQ4-M12					M12x1					

**Pressure sensors SDE1, with display**

Technical data

**Dimensions – H-rail, wall or surface mounting**

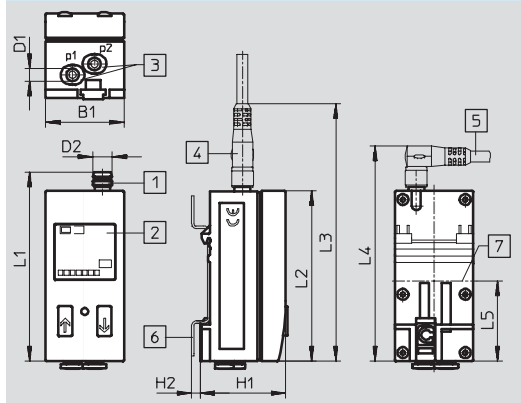
Pneumatic connection G $\frac{1}{8}$



- 1 Plug M8x1 or M12x1 to EN 60 947-5-2
- 2 LCD display
- 3 Pneumatic connection G $\frac{1}{8}$
- 4 Connection socket, straight
- 5 Connection socket, angled
- 6 Adapter plate for wall mounting
- 7 Centre with H-rail mounting

Type	B1	D1	D2	H1	H2	L1	L2	L3	L4	L5
SDE1-...-W18-...-M8	32.3	G $\frac{1}{8}$	M8	35.2	3.5	78	70	107	89	33
SDE1-...-H18-...-M8										
SDE1-...-W18-...-M12	32.3	G $\frac{1}{8}$	M12	35.2	3.5	87	70	125	104	33
SDE1-...-H18-...-M12										

Pneumatic connection QS-4



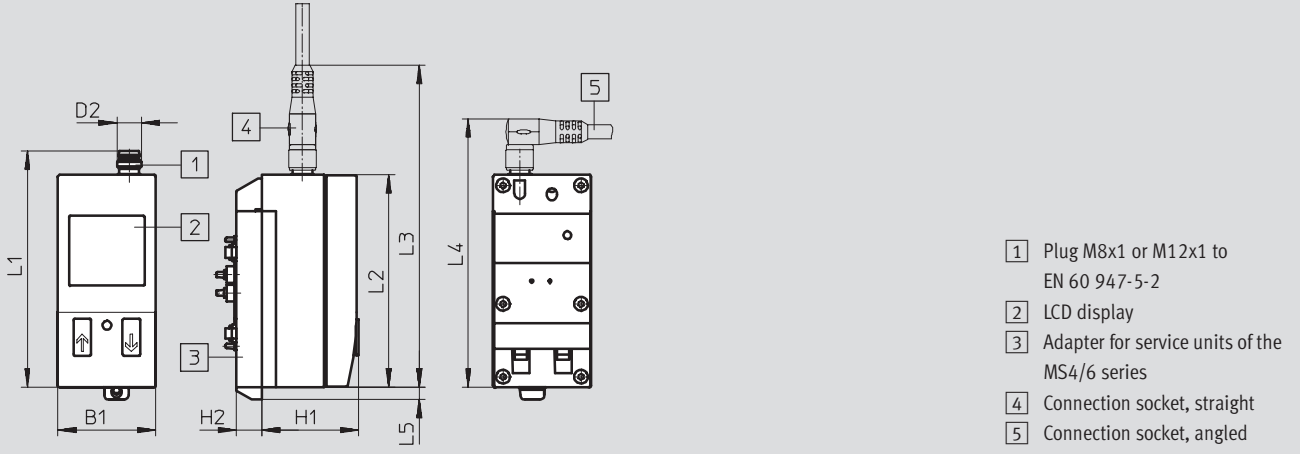
- 1 Plug M8x1 to EN 60 947-5-2
- 2 LCD display
- 3 Pneumatic connection QS-4
- 4 Connection socket, straight
- 5 Connection socket, angled
- 6 Adapter plate for wall mounting
- 7 Centre with H-rail mounting

Type	B1	D1	D2	H1	H2	L1	L2	L3	L4	L5
SDE1-...-WQ4-...-M8	32.3	QS-4	M8	35.2	3.5	78	70	107	89	33
SDE1-...-HQ4-...-M8										

## Pressure sensors SDE1, with display

Technical data

### Dimensions – Direct connection to service units of the MS4/6 series



Type	B1	D2	H1	H2	L1	L2	L3	L4	L5
SDE1-...-MS-...-M8	32.3	M8	31.2	8.8	78	70	107	89	4.1
SDE1-...-MS-...-M12		M12			87				

## Pressure sensors SDE1, with display


Technical data

Ordering data – Pressure measuring range 0 ... –1 bar						
Electrical output	Display, setting		Electrical connection		Part No.	Type <sup>1)</sup>
	LCD	Illuminated LCD	M8	M12		
Female thread G <sup>1</sup> / <sub>8</sub> , H-rail mounting, relative pressure measurement						
1 switch output PNP	■	–	■	–	192 034	SDE1-V1-G2-H18-C-P1-M8
	–	■	■	–	529 973	SDE1-V1-G2-H18-L-P1-M8
2 switch outputs PNP	■	–	■	–	192 035	SDE1-V1-G2-H18-C-P2-M8
	–	■	■	–	529 974	SDE1-V1-G2-H18-L-P2-M8
1 switch output PNP and 0 ... 10 V analogue	■	–	■	–	529 959	SDE1-V1-G2-H18-C-PU-M8
	–	■	■	–	529 975	SDE1-V1-G2-H18-L-PU-M8
Female thread G <sup>1</sup> / <sub>8</sub> , wall or surface mounting, relative pressure measurement <sup>2)</sup>						
1 switch output PNP	–	■	–	■	534 065	SDE1-V1-G2-W18-L-P1-M12
1 switch output PNP and 4 ... 20 mA analogue	–	■	■	–	537 022	SDE1-V1-G2-W18-L-PI-M8
	–	■	–	■	537 023	SDE1-V1-G2-W18-L-PI-M12
Push-in fitting QS-4, H-rail mounting, differential pressure and relative pressure measurement						
1 switch output PNP	■	–	■	–	192 036	SDE1-V1-G2-HQ4-C-P1-M8
	–	■	■	–	529 976	SDE1-V1-G2-HQ4-L-P1-M8
2 switch outputs PNP	■	–	■	–	192 037	SDE1-V1-G2-HQ4-C-P2-M8
	–	■	■	–	529 977	SDE1-V1-G2-HQ4-L-P2-M8
1 switch output PNP and 0 ... 10 V analogue	■	–	■	–	529 960	SDE1-V1-G2-HQ4-C-PU-M8
	–	■	■	–	529 978	SDE1-V1-G2-HQ4-L-PU-M8

Ordering data – Pressure measuring range 0 ... 2 bar						
Electrical output	Display, setting		Electrical connection		Part No.	Type <sup>1)</sup>
	LCD	Illuminated LCD	M8	M12		
Female thread G <sup>1</sup> / <sub>8</sub> , wall or surface mounting, relative pressure measurement <sup>2)</sup>						
1 switch output PNP	–	■	■	–	537 024	SDE1-D2-G2-W18-L-P1-M8
2 switch outputs PNP	–	■	■	–	537 025	SDE1-D2-G2-W18-L-P2-M8
Push-in fitting QS-4, H-rail mounting, differential pressure and relative pressure measurement						
2 switch outputs PNP	■	–	■	–	535 581	SDE1-D2-G2-HQ4-C-P2-M8

Ordering data – Pressure measuring range 0 ... 6 bar						
Electrical output	Display, setting		Electrical connection		Part No.	Type <sup>1)</sup>
	LCD	Illuminated LCD	M8	M12		
Female thread G <sup>1</sup> / <sub>8</sub> , wall or surface mounting, relative pressure measurement <sup>2)</sup>						
1 switch output PNP	–	■	■	–	537 026	SDE1-D6-G2-W18-L-P1-M8
2 switch outputs PNP	–	■	■	–	537 027	SDE1-D6-G2-W18-L-P2-M8

- 1) Explanation of the order code → Type codes 4 / 8.2-87  
2) Adapter plate SDE1-...-W... included in the scope of delivery

 **Note**  
Additional variants and accessories can be configured and ordered via the SDE1 modular product system → 4 / 8.2-97.

 Core Range

## Pressure sensors SDE1, with display

Technical data

Ordering data – Pressure measuring range 0 ... 10 bar						
Electrical output	Display		Electrical connection		Part No.	Type <sup>1)</sup>
	LCD	Illuminated LCD	M8	M12		
<b>Male thread R1/8, mounting on service unit (MS or D series), relative pressure measurement</b>						
1 switch output PNP	■	–	■	–	192 026	SDE1-D10-G2-R18-C-P1-M8
	–	■	■	–	529 970	SDE1-D10-G2-R18-L-P1-M8
	–	■	–	■	534 064	SDE1-D10-G2-R18-L-P1-M12
2 switch outputs PNP	■	–	■	–	192 027	SDE1-D10-G2-R18-C-P2-M8
	–	■	■	–	529 971	SDE1-D10-G2-R18-L-P2-M8
1 switch output PNP and 0 ... 10 V analogue	■	–	■	–	529 958	SDE1-D10-G2-R18-C-PU-M8
	–	■	■	–	529 972	SDE1-D10-G2-R18-L-PU-M8
<b>Male thread R1/4, mounting on service unit (MS or D series), relative pressure measurement</b>						
1 switch output PNP	■	–	■	–	192 028	SDE1-D10-G2-R14-C-P1-M8
	–	■	■	–	529 967	SDE1-D10-G2-R14-L-P1-M8
	–	■	–	■	534 157	SDE1-D10-G2-R14-L-P1-M12
2 switch outputs PNP	■	–	■	–	192 029	SDE1-D10-G2-R14-C-P2-M8
	–	■	■	–	529 968	SDE1-D10-G2-R14-L-P2-M8
1 switch output PNP and 0 ... 10 V analogue	■	–	■	–	529 957	SDE1-D10-G2-R14-C-PU-M8
	–	■	■	–	529 969	SDE1-D10-G2-R14-L-PU-M8
<b>Female thread G1/8, H-rail mounting, relative pressure measurement</b>						
1 switch output PNP	■	–	■	–	192 030	SDE1-D10-G2-H18-C-P1-M8
	–	■	■	–	529 961	SDE1-D10-G2-H18-L-P1-M8
2 switch outputs PNP	■	–	■	–	192 031	SDE1-D10-G2-H18-C-P2-M8
	–	■	■	–	529 962	SDE1-D10-G2-H18-L-P2-M8
1 switch output PNP and 0 ... 10 V analogue	■	–	■	–	529 955	SDE1-D10-G2-H18-C-PU-M8
	–	■	■	–	529 963	SDE1-D10-G2-H18-L-PU-M8
<b>Female thread G1/8, wall or surface mounting, relative pressure measurement<sup>2)</sup></b>						
1 switch output PNP	–	■	–	■	534 063	SDE1-D10-G2-W18-L-P1-M12
1 switch output PNP and 0 ... 10 V analogue	–	■	■	–	530 900	SDE1-D10-G2-W18-L-PU-M8
2 switch outputs PNP and 4 ... 20 mA analogue	–	■	–	■	534 062	SDE1-D10-G2-W18-L-2I-M12
1 switch output PNP and 4 ... 20 mA analogue	–	■	■	–	537 020	SDE1-D10-G2-W18-L-PI-M8
	–	■	–	■	537 021	SDE1-D10-G2-W18-L-PI-M12
<b>Push-in fitting QS-4, H-rail mounting, differential pressure and relative pressure measurement</b>						
1 switch output PNP	■	–	■	–	192 032	SDE1-D10-G2-HQ4-C-P1-M8
	–	■	■	–	529 964	SDE1-D10-G2-HQ4-L-P1-M8
2 switch outputs PNP	■	–	■	–	192 033	SDE1-D10-G2-HQ4-C-P2-M8
	–	■	■	–	529 965	SDE1-D10-G2-HQ4-L-P2-M8
1 switch output PNP and 0 ... 10 V analogue	■	–	■	–	529 956	SDE1-D10-G2-HQ4-C-PU-M8
	–	■	■	–	529 966	SDE1-D10-G2-HQ4-L-PU-M8
<b>Push-in fitting QS-4, front panel mounting, differential pressure and relative pressure measurement</b>						
1 switch output PNP	–	■	■	–	537 028	SDE1-D10-G2-FQ4-L-P1-M8
	–	■	–	■	537 030	SDE1-D10-G2-FQ4-L-P1-M12
2 switch outputs PNP	–	■	■	–	537 029	SDE1-D10-G2-FQ4-L-P2-M8
	–	■	–	■	537 031	SDE1-D10-G2-FQ4-L-P2-M12

1) Explanation of the order code → Type codes 4 / 8.2-87

2) Adapter plate SDE1-...-W... included in the scope of delivery

Core Range

## Pressure sensors SDE1

Ordering data – Modular products

M Mandatory data								O Options
Module No.	Function	Pressure measuring range	Accuracy	Pneumatic connection and assembly	Display and adjustment	Electrical output	Electrical connection	Accessories: Plug socket
192 766	SDE1	B2, V1, D2, D6, D10	G2	R18, R14, MS4, MS6, H18, W18, HQ4, WQ4, FQ4	C, L	P1, P2, PU, PI, N1, N2, NU, NI	M8, M12	G, W, G5, W5
<b>Ordering example</b>								
192 766	SDE1	- D6	- G2	- W18	- L	- P2	- M12	- W5

Ordering table		Condi- tions	Code	Enter code
M	Module No.	192 766		
	Function	Pressure sensor	SDE1	SDE1
	Pressure measuring range	Pressure measuring range -1 ... 1 bar	-B2	
		Pressure measuring range 0 ... -1 bar	-V1	
		Pressure measuring range 0 ... 2 bar	-D2	
		Pressure measuring range 0 ... 6 bar	-D6	
		Pressure measuring range 0 ... 10 bar	-D10	
		Accuracy	Accuracy 2%	-G2
	Pneumatic connection and assembly	Connection R1/8 (service units)	-R18	
		Connection R1/4 (service units)	-R14	
		Direct connection to service units, MS4 series	-MS4	
		Direct connection to service units, MS6 series	-MS6	
		Relative pressure with G1/8 connection for H-rail mounting	-H18	
		Relative pressure with G1/8 connection for wall or surface mounting	-W18	
		Differential pressure, 4 mm push-in fitting for H-rail mounting	-HQ4	
		Differential pressure, 4 mm push-in fitting for wall or surface mounting	-WQ4	
		Front panel mounting, 4 mm push-in fitting	-FQ4	
	Display and adjustment	LCD display (user optimised)	-C	
		Illuminated LCD (reading optimised)	-L	
	Electrical output	1 switch output PNP	-P1	
		2 switch outputs PNP	-P2	
		1 switch output PNP, 1 analogue output 0 ... 10 V analogue	-PU	
		1 switch output PNP, 1 analogue output 4 ... 20 mA	-PI	
		1 switch output NPN	-N1	
		2 switch outputs NPN	-N2	
		1 switch output NPN, 1 analogue output 0 ... 10 V	-NU	
		1 switch output NPN, 1 analogue output 4 ... 20 mA	-NI	
		Electrical connection	Plug M8	-M8
	Plug M12		-M12	
O	Accessories		-	-
	Plug socket	Connecting cable, straight socket, 2.5 m	G	
		Connecting cable, angled socket, 2.5 m	W	
		Connecting cable, straight socket, 5 m	G5	
		Connecting cable, angled socket, 5 m	W5	

Transfer order code

192 766 SDE1 - - G2 - - - - -

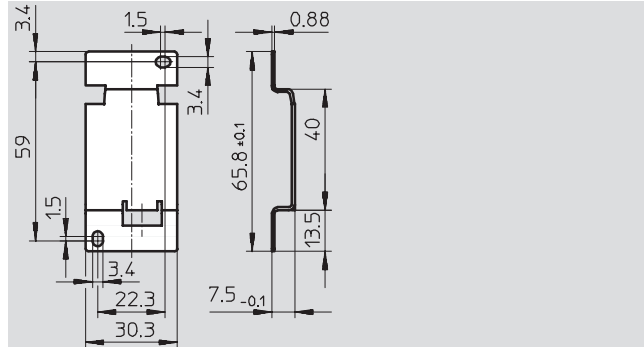
## Pressure sensors SDE1, with display

Accessories

**FESTO**

**Adapter plate SDE1-...-W...**  
for wall or surface mounting

Material:  
Steel

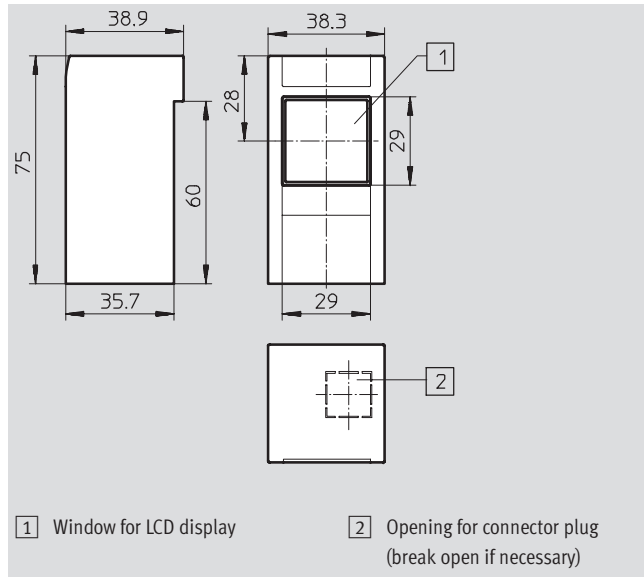


Ordering data		Part No.	Type
Adapter plate <sup>1)</sup>		194 297	SDE1-...-W...

1) Included in the scope of delivery with SDE1-...-W...

**Safety guard SDE1-SH**

Material:  
Polyphenylene sulphide, reinforced






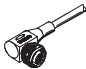
Ordering data		Part No.	Type
Safety guard		537 074	SDE1-SH




## Pressure sensors SDE1, with display

Accessories

Ordering data – Plug sockets with cable M8x1							Technical data → 4 / 8.3-24	
	Assembly	Connection	Switch output		Cable length [m]	Part No.	Type	
			PNP	NPN				
<b>Straight socket</b>								
	Union nut M8x1	3-pin	■	■	2.5	159 420	SIM-M8-3GD-2,5-PU	
			■	■	5	159 421	SIM-M8-3GD-5-PU	
		4-pin	■	■	2.5	158 960	SIM-M8-4GD-2,5-PU	
			■	■	5	158 961	SIM-M8-4GD-5-PU	
<b>Angled socket</b>								
	Union nut M8x1	3-pin	■	■	2.5	159 422	SIM-M8-3WD-2,5-PU	
			■	■	5	159 423	SIM-M8-3WD-5-PU	
		4-pin	■	■	2.5	158 962	SIM-M8-4WD-2,5-PU	
			■	■	5	158 963	SIM-M8-4WD-5-PU	

Ordering data – Plug sockets with cable M12x1							Technical data → 4 / 8.3-27	
	Assembly	Connection	Switch output		Cable length [m]	Part No.	Type	
			PNP	NPN				
<b>Straight socket</b>								
	Union nut M12x1	3-pin	■	■	2.5	159 428	SIM-M12-3GD-2,5-PU	
			■	■	5	159 429	SIM-M12-3GD-5-PU	
		4-pin	■	■	5	164 259	SIM-M12-4GD-5-PU	
			5-pin	■	■	2.5	175 715	SIM-M12-5GD-2,5-PU
				■	■	5	175 716	SIM-M12-5GD-5-PU
<b>Angled socket</b>								
	Union nut M12x1	3-pin	■	■	2.5	159 430	SIM-M12-3WD-2,5-PU	
			■	■	5	159 431	SIM-M12-3WD-5-PU	
		4-pin	■	■	5	164 258	SIM-M12-4WD-5-PU	

Ordering data – Push-in fittings				Technical data → Volume 3	
	Connecting thread	Push-in fitting for tubing O.D. [mm]		Part No.	Type
	G $\frac{1}{8}$	4		186 095	QS-G $\frac{1}{8}$ -4
		6		186 096	QS-G $\frac{1}{8}$ -6
		8		186 098	QS-G $\frac{1}{8}$ -8