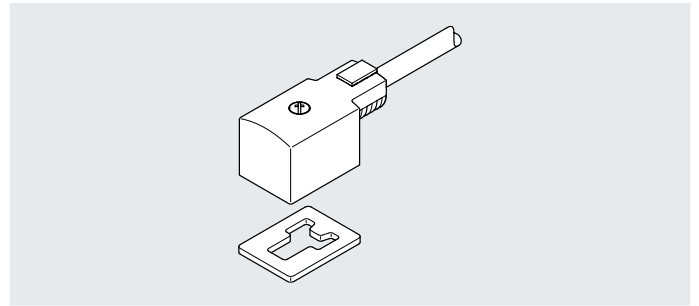


Data sheet

Plug socket with cable KMV

- For valves with V solenoid coil



General technical data		
Cable ø	[mm]	6
Cable composition		3 x 0.75 mm ²
Protective earth connection		Available
Reverse polarity protection		For all electrical connections
Type of mounting		On solenoid valve with M3 central screw
Mounting position		Any
Degree of protection to EN 60529		IP67 (assembled)

Materials	
Housing	PC
Pin contact	Bronze
Cable sheath	PVC

Operating and environmental conditions		
	KMV-1-24	KMV-1-230
Ambient temperature [°C]	-20 ... +80	-20 ... +80
CE marking (see declaration of conformity) ¹⁾	-	To EU Low Voltage Directive
	To EU RoHS Directive	To EU RoHS Directive
Corrosion resistance class CRC ²⁾	1	1

1) For information about the area of use, see the EC declaration of conformity at: www.festo.com/catalogue/kmv → Support/Downloads.

If the devices are subject to usage restrictions in residential, commercial or light-industrial environments, further measures for the reduction of the emitted interference may be necessary.

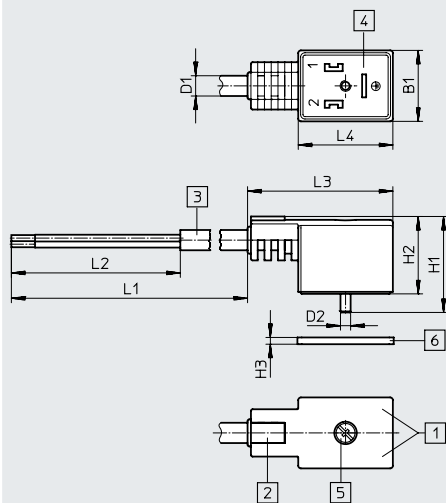
2) Corrosion resistance class CRC 1 to Festo standard FN 940070

Low corrosion stress. Dry indoor application or transport and storage protection. Also applies to parts behind coverings, in the non-visible interior area, or parts that are covered in the application (e.g. drive trunnions).

Data sheet

Dimensions

Download CAD data → www.festo.com



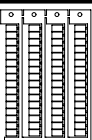
- [1] LED illuminated area
- [2] Location for inscription label
IBS-6x10
- [3] 3-wire cable
- [4] Plug pattern to EN 175301-803,
type B
- [5] Retaining screw M3
- [6] Seal

Type	B1	D1 ∅	D2 ∅	H1	H2	H3	L1	L2	L3	L4
KMV-1-...-2.5	21	6	M3	28.5	23	2	2.5	50	42.5	28
KMV-1-...-5							5			
KMV-1-...-10							10			

Ordering data

Electrical connection	Nominal operating voltage [V]	Switching status indication	Cable length [m]	Product weight [g]	Part no.	Type
Socket, type B	24 DC	LED	2.5	170	30939	KMV-1-24DC-2.5-LED
			5	320	30941	KMV-1-24DC-5-LED
			10	620	193456	KMV-1-24-10-LED
	230 AC	-	2.5	170	30940	KMV-1-230AC-2.5
			5	320	30942	KMV-1-230AC-5

Ordering data – Accessories

Designation	Part no.	Type
 Inscription labels 6x10 mm, 64 pieces, in frame	18576	IBS-6x10