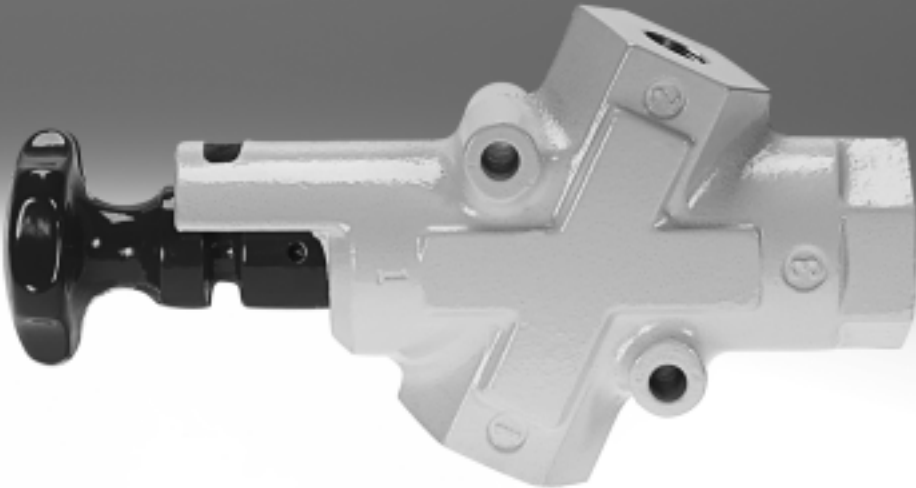


Shut-off valves HE-LO

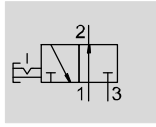





Shut-off valves HE-LO

Technical data

FESTO

Function



-  - Flow rate
5,200 ... 10,000 l/min
-  - Temperature range
-10 ... +60 °C
-  - Operating pressure
1 ... 10 bar



-  - Note

The shut-off valve may not be used as an emergency stop valve.

For units that require a pneumatic shut-off in order to carry out maintenance or repair work, for example.


The valve is installed into the air supply line and fulfills requirements set forth by OSHA 29 CFR 147, "Controlling Dangerous Energy Sources", issued by the United States Department of Labor.

Function:

The valve is used for shutting off the compressed air supply, while simultaneously exhausting systems which are powered using compressed air. Flow from port 1 to port 2 is blocked when the actuator knob is pressed, and flow from port 2 to port 3 is opened.

The largest exhaust flow rate is achieved by keeping the actuating knob in the actuated position until the connected system is completely exhausted. The valve can be locked in the closed position using a padlock. This ensures that a decommissioned system (e.g. during maintenance work) cannot be pressurised without authorisation.

General technical data				
Type	HE-G3/8-LO	HE-G1/2-LO	HE-G3/4-LO	HE-G1-LO
Pneumatic connection 1, 2	G3/8	G1/2	G3/4	G1
Pneumatic connection 3	G1			
Design	Piston spool valve			
Actuation type	Manual			
Type of mounting	In-line installation Via through-hole			
Assembly position	Any			
Valve function	3/2-way valve, bistable			
Exhaust function	No flow control			
Direction of flow	Non-reversible			
Manual override	None			
Sealing principle	Soft			

-  - Note: This product conforms to ISO 1179-1 and to ISO 228-1

Flow rate characteristic values				
Type	HE-G3/8-LO	HE-G1/2-LO	HE-G3/4-LO	HE-G1-LO
Standard nominal flow rate $q_{nN}^{1)}$ [l/min]				
1 → 2	5,200	6,200	8,000	10,000
2 → 3	12,000			
C value [l/s*bar]				
1 → 2	20.95	28.13	36.28	38.47
b value				
1 → 2	0.42	0.28	0.21	0.47

1) Measured at $p_1 = 6$ bar and $p_2 = 5$ bar, $\Delta p = 1$ bar

Shut-off valves HE-LO

Technical data

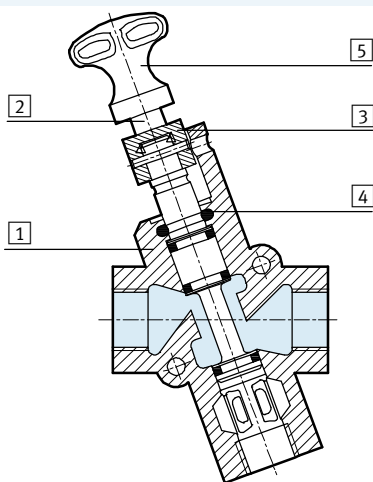
Operating and environmental conditions	
Operating pressure [bar]	1 ... 10
Operating medium	Compressed air in accordance with ISO 8573-1:2010 [7:4:4]
Ambient temperature [°C]	-10 ... +60
Temperature of medium [°C]	-10 ... +60
Corrosion resistance class CRC ¹⁾	3

1) Corrosion resistance class CRC 3 to Festo standard FN 940070
 High corrosion stress. Outdoor exposure under moderate corrosive conditions. External visible parts with primarily functional requirements for the surface and which are in direct contact with a normal industrial environment.

Weights				
Type	HE-G3/8-LO	HE-G1/2-LO	HE-G3/4-LO	HE-G1-LO
Product weight [g]	1,100		1,000	

Materials

Sectional view



Shut-off valve		
1	Housing	Die-cast aluminium, PBT Colour: yellow
2	Piston spool	Aluminium
3	Guide	PTFE
4	O-ring	PU
5	Actuating knob	Die-cast aluminium, PBT Colour: red
-	Seals	NBR, TPE-U(PU)

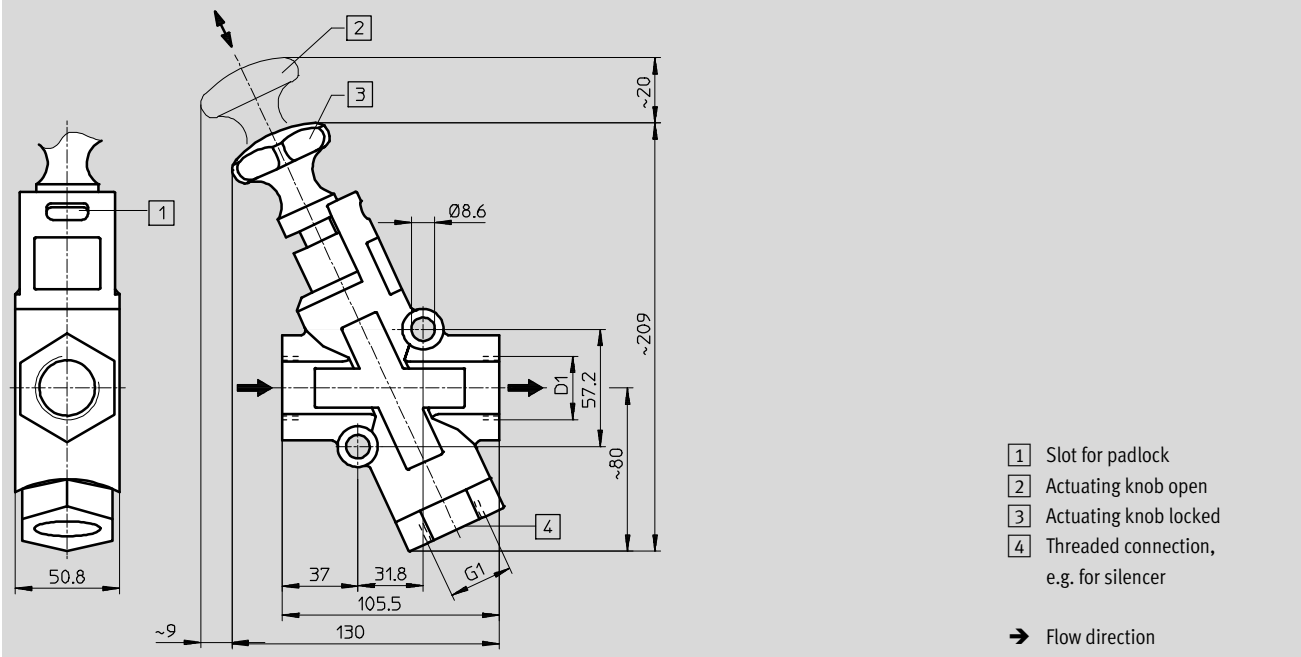
Shut-off valves HE-LO

Technical data

FESTO

Dimensions

Download CAD data → www.festo.com



Type	D1
HE-G3/8-LO	G3/8
HE-G1/2-LO	G1/2
HE-G3/4-LO	G3/4
HE-G1-LO	G1

– Note: This product conforms to ISO 1179-1 and to ISO 228-1

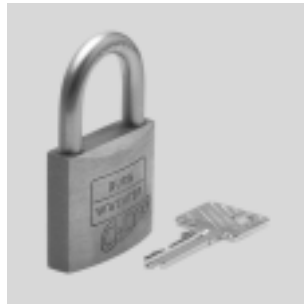
Ordering data		
Pneumatic connection 1, 2	Part No.	Type
G3/8	197133	HE-G3/8-LO
G1/2	197134	HE-G1/2-LO
G3/4	197135	HE-G3/4-LO
G1	197136	HE-G1-LO

Shut-off valves HE-LO

Accessories

Padlock LRVS-D
for shut-off valve

Material:
Housing: Brass



Ordering data			
	Weight [g]	Part No.	Type
Padlock	120	193786	LRVS-D