



- Compact
- Functional
- Wide range of variants
- Flexible

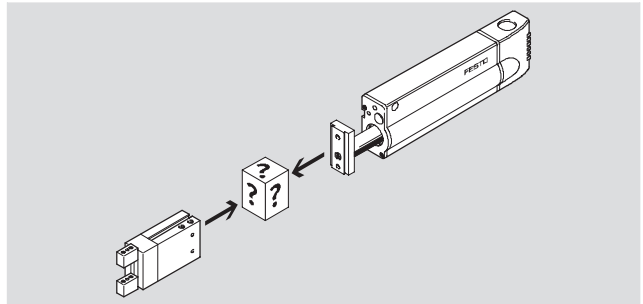
Drive/gripper connections

Selection aid



Adapter kits provide a fast and simple connection between Festo grippers and drives.

The scope of delivery includes the necessary accessories such as screws, centring discs, sleeves or pins, and nuts.



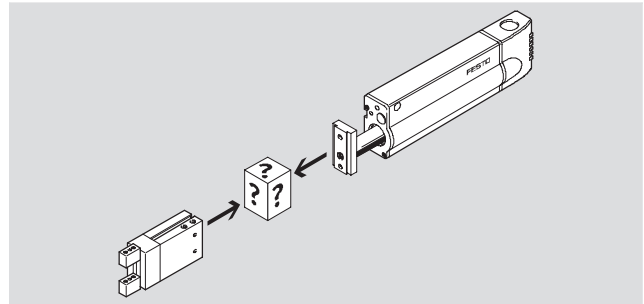
Possible combinations						
	HMP, HME	HMPL	DGSL	SLT, SLTE	DGPL, DGE-KF	DGEA
2-jaw parallel gripper						
HGPT	→ 6	→ 18	→ 25	→ 31	–	–
HGPL	→ 7	→ 19	→ 26	→ 32	→ 37	→ 37
HGPP	→ 8	→ 20	→ 27	→ 33	→ 38	→ 38
HGP	→ 12	→ 21	→ 28	→ 34	→ 42	→ 42
HGPC	→ 14	→ 22	→ 29	→ 35	–	–
HGPM	–	–	–	–	–	–
3-jaw parallel gripper						
HGDT	→ 15	→ 23	→ 30	→ 36	–	–
HGD	→ 10	→ 21	–	–	→ 40	→ 40






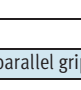


Drive/gripper connections

Selection aid

Adapter kits provide a fast and simple connection between Festo grippers and drives.

The scope of delivery includes the necessary accessories such as screws, centring discs, sleeves or pins, and nuts.



Possible combinations						
	EGSA	DRQD	ERMB	DSL-...-KF	DSM	DPZ
2-jaw parallel gripper						
HGPT 	→ 46	→ 54	→ 54	-	-	-
HGPL 	→ 47	→ 56	→ 56	-	-	-
HGPP 	→ 48	→ 58	→ 58	→ 68	→ 68	-
HGP 	→ 49	→ 60	→ 60	→ 69	→ 69	→ 71
HGPC 	→ 50	→ 65	→ 65	-	-	-
HGPM 	-	→ 66	-	-	-	-
3-jaw parallel gripper						
HGDT 	→ 51	→ 67	→ 67	-	-	-
HGD 	→ 52	→ 60	→ 60	→ 60	→ 60	-

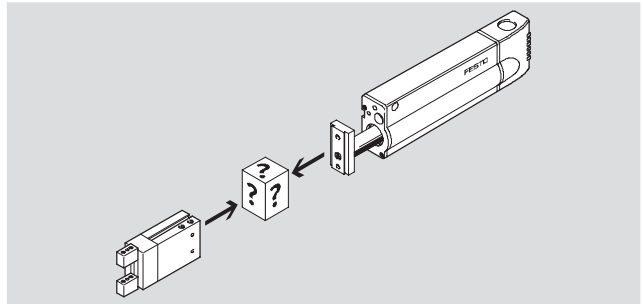
Drive/gripper connections

Selection aid



Adapter kits provide a fast and simple connection between Festo grippers and drives.

The scope of delivery includes the necessary accessories such as screws, centring discs, sleeves or pins, and nuts.



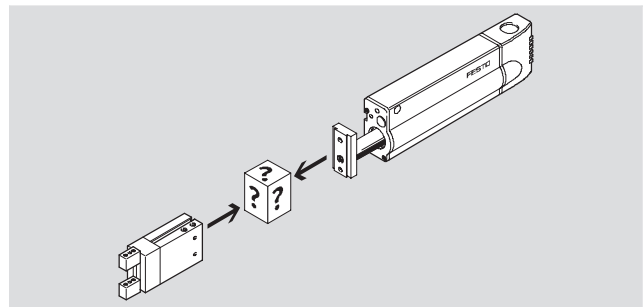
Possible combinations						
	HMP, HME	HMPL	DGSL	SLT, SLTE	DGPL, DGE-KF	DGEA
2-jaw angle gripper						
HGW	→ 12	→ 21	→ 28	→ 34	→ 42	→ 42
HGR	→ 12	→ 21	→ 28	→ 34	→ 42	→ 42
HGWM	-	-	-	-	-	-
Swivel/gripper unit						
HGDS	→ 16	→ 24	-	-	→ 45	→ 45

Drive/gripper connections

Selection aid

Adapter kits provide a fast and simple connection between Festo grippers and drives.

The scope of delivery includes the necessary accessories such as screws, centring discs, sleeves or pins, and nuts.



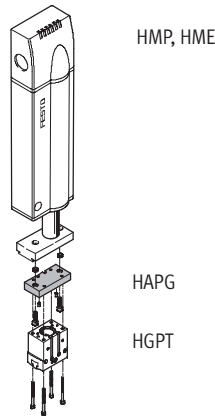
Possible combinations						
	EGSA	DRQD	ERMB	DSL-...-KF	DSM	DPZ
2-jaw angle gripper						
HGW	→ 49	→ 60	→ 60	→ 69	→ 69	→ 71
HGR	→ 49	→ 60	→ 60	→ 69	→ 69	→ 71
HGWM	-	→ 66	-	-	-	-
Swivel/gripper unit						
HGDS	→ 53	-	-	-	-	-

HMP, HME/HGPT connections

Technical data

Adapter kit HAPG

Material:
Wrought aluminium alloy, anodised
Centring pins/sleeves: High-alloy steel
Free of copper, PTFE and silicone

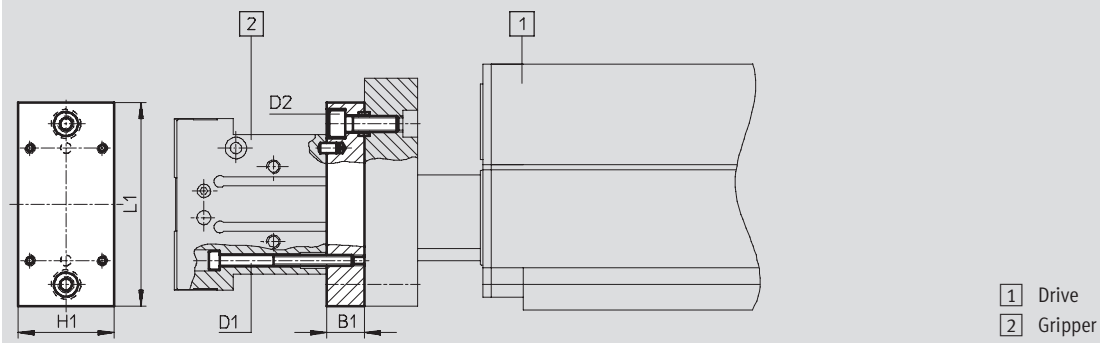


Direct mounting

Dimensions and ordering data

Download CAD data → www.festo.com

Direct mounting



Drive	Gripper	B1	D1	D2	H1	L1	CRC ²⁾	Part No.	Type
HMP/HME-16 ¹⁾	HGPT-25	14	M4	M5	36	76	2	537 178	HAPG-81
HMP-20 HMP/HME-25 ¹⁾	HGPT-35	12	M4	M6	54	100		537 172	HAPG-77
HMP-20 HMP/HME-25 ¹⁾	HGPT-40	12	M6	M6	80	88.5		537 182	HAPG-84
HMP/HME-25 ¹⁾ HMP-32	HGPT-50	15	M6	M6	60	110		537 185	HAPG-86
HMP-32	HGPT-63	15	M4	M6	72	131.5		537 187	HAPG-87

1) HME: horizontal mounting position, vertical on request

2) Corrosion resistance class 2 as per Festo standard 940 070

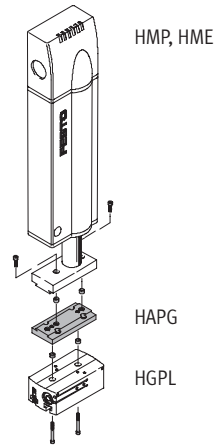
Components subject to moderate corrosion stress. Externally visible parts with primarily decorative surface requirements which are in direct contact with a normal industrial environment or media such as coolants or lubricating agents.

HMP, HME/HGPL connections

Technical data

Adapter kit HAPG

Material:
Wrought aluminium alloy, anodised
Centring sleeves: High-alloy steel
Free of copper, PTFE and silicone

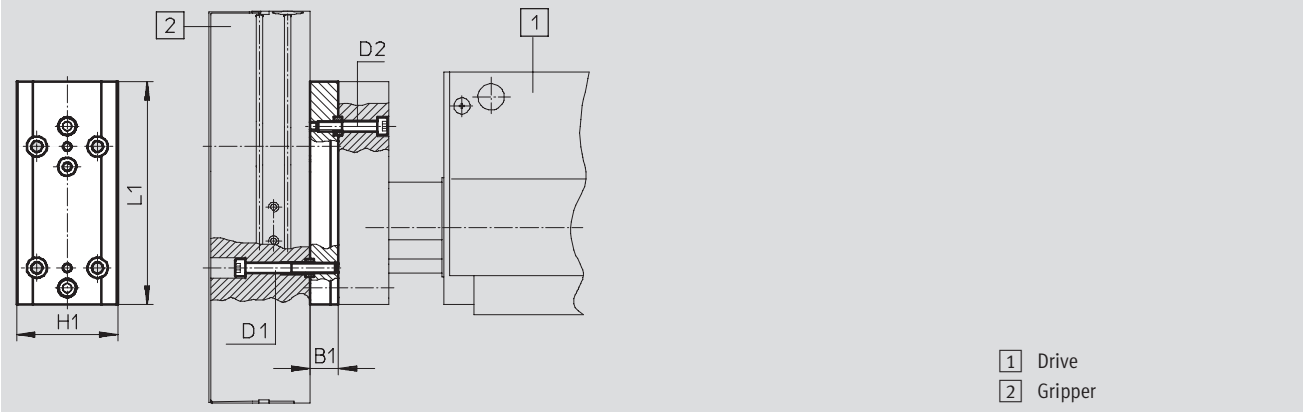


Direct mounting

Dimensions and ordering data

Download CAD data → www.festo.com

Direct mounting



1 Drive
2 Gripper

Drive	Gripper	B1	D1	D2	H1	L1	CRC ²⁾	Part No.	Type
HMP/HME-16 ¹⁾ HMP-20	HGPL-14	-	-	-	-	-	2	-	2x M5x25 DIN 912 2x ZBH-9
HMP-20 HMP/HME-25 ¹⁾	HGPL-25	14	M5	M5	50	110		539 887	HAPG-92
HMP/HME-25 ¹⁾ HMP-32	HGPL-40	20	M8	M5	60	120		537 312	HAPG-SD2-30

1) HME: horizontal mounting position, vertical on request

2) Corrosion resistance class 2 as per Festo standard 940 070

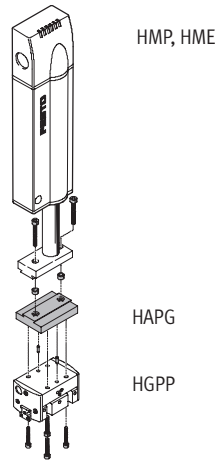
Components subject to moderate corrosion stress. Externally visible parts with primarily decorative surface requirements which are in direct contact with a normal industrial environment or media such as coolants or lubricating agents.

HMP, HME/HGPP connections

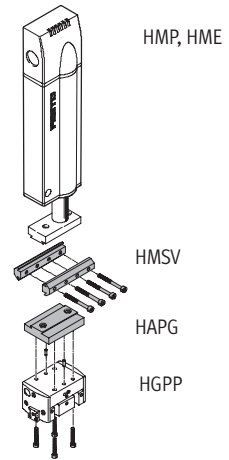
Technical data

Adapter kit HAPG, HMSV

Material:
Wrought aluminium alloy, anodised
Centring pins/sleeves: High-alloy steel
Free of copper, PTFE and silicone



Direct mounting

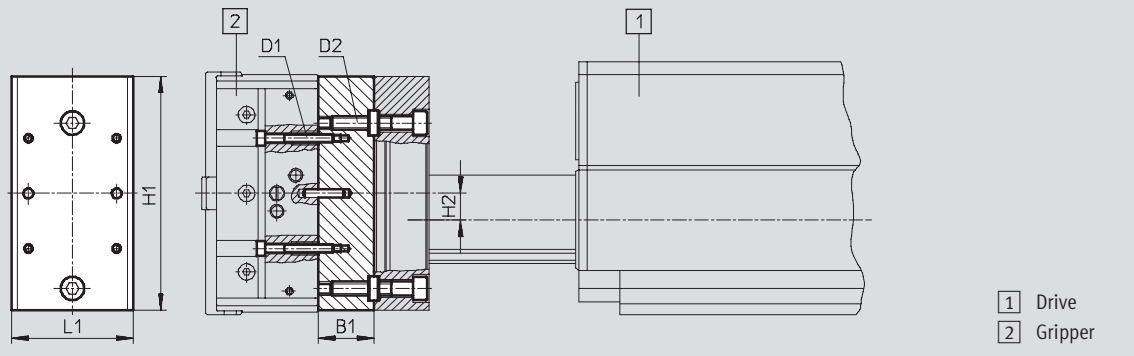


Dovetail mounting

Dimensions and ordering data

Download CAD data → www.festo.com

Direct mounting



Drive	Gripper	B1	D1	D2	H1	H2	L1	CRC ²⁾	Part No.	Type
HMP/HME-16 ¹⁾	HGPP-12	20	M3	M5	85	9.5	44	2	191 262	HAPG-44
HMP/HME-16 ¹⁾	HGPP-16	20	M3	M5	85	9.5	44		191 263	HAPG-45
HMP-20 HMP/HME-25 ¹⁾	HGPP-16	20	M3	M5	100.4	4.7	51		191 264	HAPG-46
HMP/HME-25 ¹⁾	HGPP-20	12	M4	M5	110	7	50		191 265	HAPG-47
HMP/HME-25 ¹⁾	HGPP-25	18	M5	M5	110	–	60		529 019	HAPG-59
HMP-32	HGPP-32	18	M5	M5	133	–	60		529 020	HAPG-61

1) HME: Horizontal mounting position, vertical on request

2) Corrosion resistance class 2 as per Festo standard 940 070

Components subject to moderate corrosion stress. Externally visible parts with primarily decorative surface requirements which are in direct contact with a normal industrial environment or media such as coolants or lubricating agents.

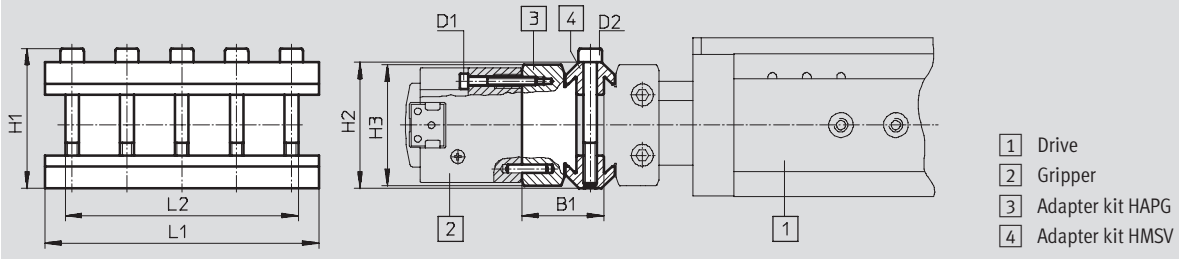
HMP, HME/HGPP connections

Technical data

Dimensions and ordering data

Download CAD data → www.festo.com

Dovetail mounting



Drive	Gripper	B1	D1	D2	H1	H2	H3	L1	L2	CRC ²⁾	Part No.	Type
HMP/HME-16 ¹⁾	HGPP-12	30	M3	M5	51	46	44	100	85	2	191 262	HAPG-44
											177 649	HMSV-3
HMP/HME-16 ¹⁾	HGPP-16	30	M3	M5	51	46	44	100	85		191 263	HAPG-45
											177 649	HMSV-3
HMP-20 HMP/HME-25 ¹⁾	HGPP-16	30	M3	M5	51	46	51	120	100.4		191 264	HAPG-46
											177 653	HMSV-7
HMP/HME-25 ¹⁾	HGPP-20	22	M4	M5	51	46	50	120	110	191 265	HAPG-47	
										177 653	HMSV-7	
HMP/HME-25 ¹⁾	HGPP-25	28	M5	M5	51	46	60	120	110	529 019	HAPG-59	
										177 653	HMSV-7	
HMP-32	HGPP-32	28	M5	M5	51	46	60	120	133	529 020	HAPG-61	
										177 653	HMSV-7	

1) HME: Horizontal mounting position, vertical on request

2) Corrosion resistance class 2 as per Festo standard 940 070

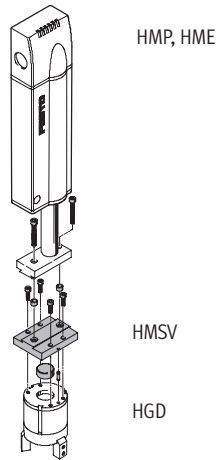
Components subject to moderate corrosion stress. Externally visible parts with primarily decorative surface requirements which are in direct contact with a normal industrial environment or media such as coolants or lubricating agents.

HMP, HME/HGD connections

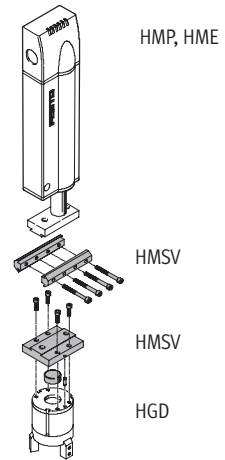
Technical data

Adapter kit HMSV

Material:
Wrought aluminium alloy, anodised
Centring pins/sleeves: High-alloy steel
Free of copper, PTFE and silicone



Direct mounting

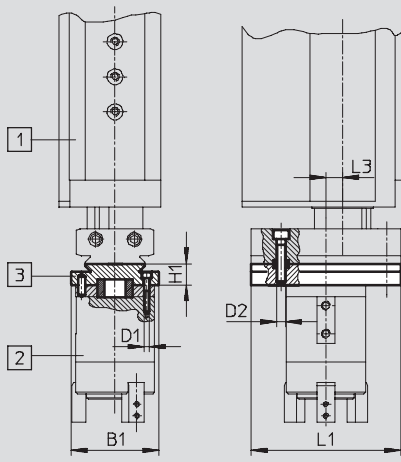


Dovetail mounting

Dimensions and ordering data

Download CAD data → www.festo.com

Direct mounting



- 1 Drive
- 2 Gripper
- 3 Adapter plate HMSV

Drive	Gripper	B1	D1	D2	L1	H1	L3	CRC ²⁾	Part No.	Type
HMP/HME-16 ¹⁾	HGD-32	50	M3	M5	85	12	9.5	2	177 765	HMSV-25
HMP-20							4.5			
HMP/HME-25 ¹⁾										
HMP/HME-25 ¹⁾	HGD-50	70	M5	M5	110	14	10			
HMP-32							-	177 766	HMSV-26	

1) HME: Horizontal mounting position, vertical on request

2) Corrosion resistance class 2 as per Festo standard 940 070

Components subject to moderate corrosion stress. Externally visible parts with primarily decorative surface requirements which are in direct contact with a normal industrial environment or media such as coolants or lubricating agents.

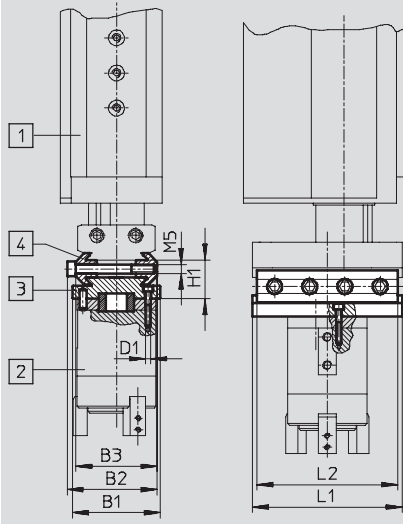
HMP, HME/HGD connections

Technical data

Dimensions and ordering data

Download CAD data → www.festo.com

Dovetail mounting



- 1 Drive
- 2 Gripper
- Adapter kit,
comprising:
- 3 Adapter plate HMSV
- 4 Dovetail clamp HMSV

Drive	Gripper	B1	B2	B3	D1	L1	L2	H1	CRC ²⁾	Part No.	Type
HMP/HME-16 ¹⁾ HMP-20 HMP/HME-25	HGD-32	50	51	46	M3	85	80	22	2	178 212	HMSV-32
HMP/HME-25 ¹⁾ HMP-32	HGD-50	70	51	46	M5	110	100	24		178 213	HMSV-33

1) HME: Horizontal mounting position, vertical on request

2) Corrosion resistance class 2 as per Festo standard 940 070

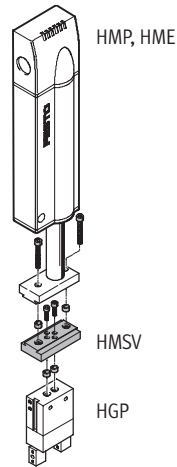
Components subject to moderate corrosion stress. Externally visible parts with primarily decorative surface requirements which are in direct contact with a normal industrial environment or media such as coolants or lubricating agents.

HMP, HME/HGP, HGR, HGW connections

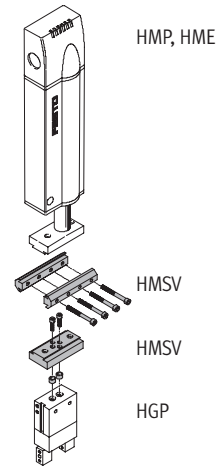
Technical data

Adapter kit HMSV

Material:
Wrought aluminium alloy, anodised
Centring sleeves: High-alloy steel
Free of copper, PTFE and silicone



Direct mounting

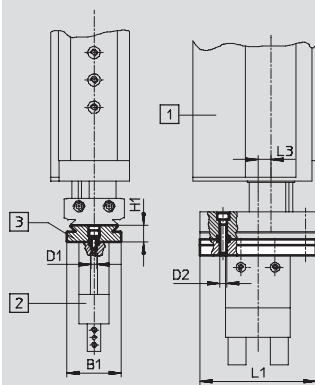


Dovetail mounting

Dimensions and ordering data

Download CAD data → www.festo.com

Direct mounting



- 1 Drive
- 2 Gripper
- 3 Adapter plate HMSV

Drive	Gripper	B1	D1	D2	L1	H1	L3	CRC ²⁾	Part No.	Type
HMP/HME-16 ¹⁾ HMP-20	HGP-10 HGR-16 HGW-16	40	M3	M5	85	12	9.5	2	177 666	HMSV-20
HMP/HME-16 ¹⁾ HMP-20 HMP/HME-25 ¹⁾	HGP-16 HGP-20 HGR-25 HGW-25	40	M4	M5	85	12	9.5		177 761	HMSV-21
HMP/HME-16 ¹⁾ HMP-20 HMP/HME-25 ¹⁾ HMP-32	HGP-25 HGR-32 HGW-32	50	M6	M5	100	14	9.5		177 762	HMSV-22
HMP/HME-25 ¹⁾	HGP-35 HGR-40 HGW-40	60	M8	M5	110	18	17		177 763	HMSV-23
HMP-32	HGP-35 HGR-40 HGW-40	60	M8	M5	133	18	10.5		177 764	HMSV-24

1) HME: Horizontal mounting position, vertical on request

2) Corrosion resistance class 2 as per Festo standard 940 070

Components subject to moderate corrosion stress. Externally visible parts with primarily decorative surface requirements which are in direct contact with a normal industrial environment or media such as coolants or lubricating agents.

HMP, HME/HGP, HGR, HGW connections

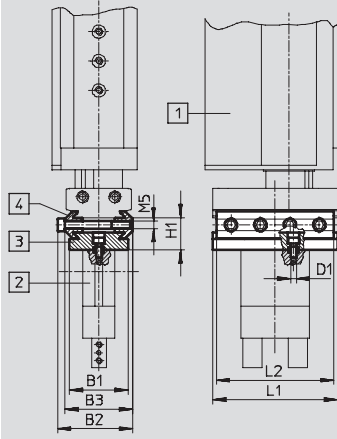
Technical data

FESTO

Dimensions and ordering data

Download CAD data → www.festo.com

Dovetail mounting



- 1 Drive
- 2 Gripper
- Adapter kit, comprising:
- 3 Adapter plate HMSV
- 4 Dovetail clamp HMSV

Drive	Gripper	B1	B2	B3	D1	L1	L2	H1	CRC ¹⁾	Part No.	Type
HMP-16 HMP-20	HGP-10 HGR-16 HGW-16	40	51	46	M3	85	80	22	2	177 767	HMSV-27
HMP-16 HMP-20 HMP-25	HGP-16 HGR-25 HGW-25	40	51	46	M4	85	80	24		177 768	HMSV-28
HMP-16 HMP-20 HMP-25 HMP-32	HGP-25 HGR-32 HGW-32	50	51	46	M6	100	100	24		177 769	HMSV-29
HMP-25	HGP-35 HGR-40 HGW-40	60	51	46	M8	110	100	28		177 770	HMSV-30
HMP-32	HGP-35 HGR-40 HGW-40	60	51	46	M8	133	100	28		178 211	HMSV-31

1) Corrosion resistance class 2 as per Festo standard 940 070

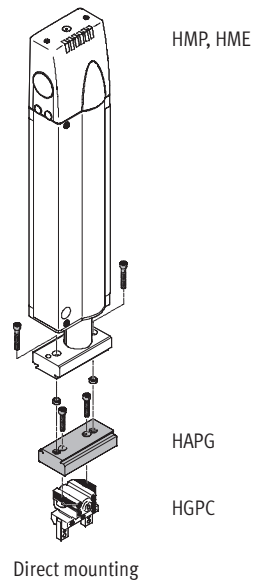
Components subject to moderate corrosion stress. Externally visible parts with primarily decorative surface requirements which are in direct contact with a normal industrial environment or media such as coolants or lubricating agents.

HMP, HME/HGPC connections

Technical data

Adapter kit HAPG

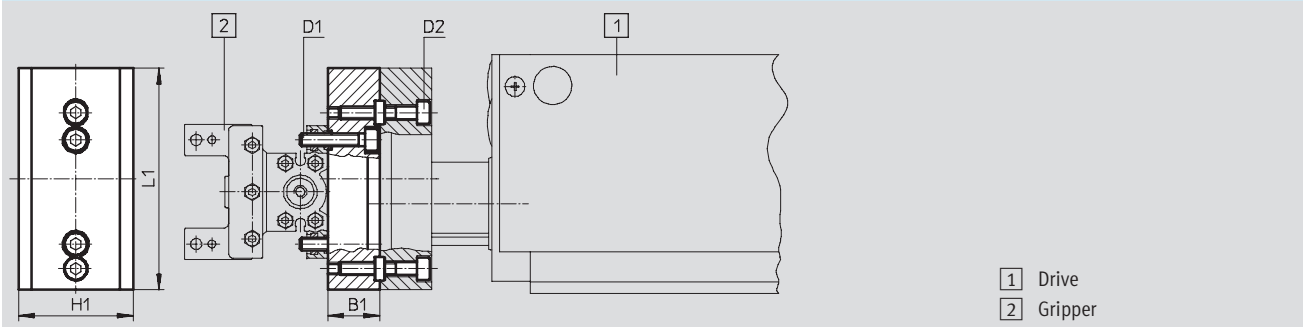
Material:
Wrought aluminium alloy, anodised
Centring sleeves: High-alloy steel
Free of copper, PTFE and silicone



Dimensions and ordering data

Download CAD data → www.festo.com

Direct mounting



Drive	Gripper	B1	D1	D2	H1	L1	CRC ²⁾	Part No.	Type
HMP/HME-16 ¹⁾	HGPC-16	20	M5	M5	44	85	2	191 263	HAPG-45
HMP-20	HGPC-20	20	M6	M5	51	100.4		191 264	HAPG-46
HMP/HME-25 ¹⁾									

1) HME: Horizontal mounting position, vertical on request

2) Corrosion resistance class 2 as per Festo standard 940 070

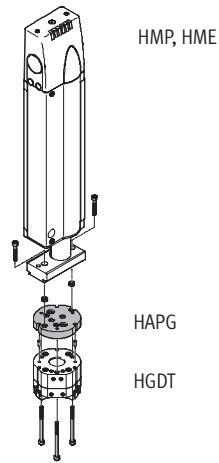
Components subject to moderate corrosion stress. Externally visible parts with primarily decorative surface requirements which are in direct contact with a normal industrial environment or media such as coolants or lubricating agents.

HMP, HME/HGDT connections

Technical data

Adapter kit HAPG

Material:
Wrought aluminium alloy, anodised
Centring pins/sleeves: High-alloy steel
Free of copper, PTFE and silicone

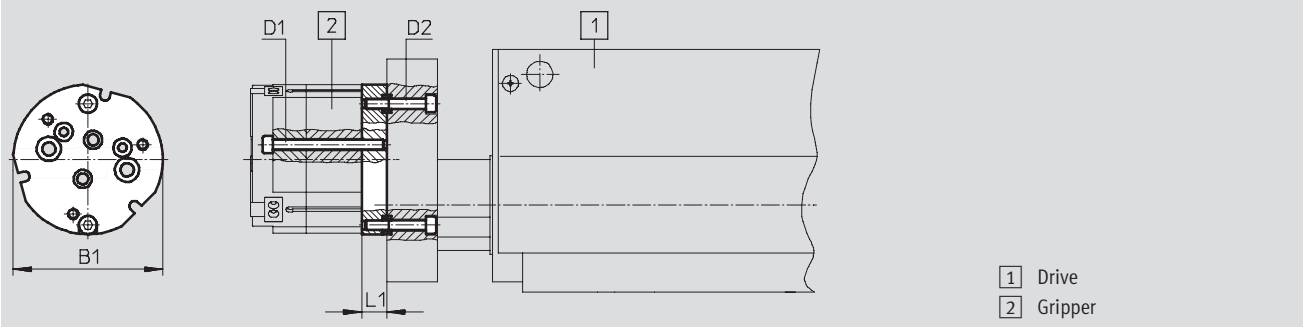


Direct mounting

Dimensions and ordering data

Download CAD data → www.festo.com

Direct mounting



Drive	Gripper	B1	D1	D2	L1	CRC ⁽²⁾	Part No.	Type
HMP/HME-16 ¹⁾	HGDT-35	50	M3	M5	11.5	2	542 434	HAPG-98
HMP/HME-16 HMP-20 HMP/HME-25	HGDT-40	74	M5	M5	12.5		542 437	HAPG-95
HMP-20 HMP/HME-25 HMP-32	HGDT-50	92	M6	M5	11.5		542 443	HAPG-SD2-36
HMP/HME-25 HMP-32	HGDT-63	114	M6	M5	11.5		542 438	HAPG-96

1) HME: Horizontal mounting position, vertical on request

2) Corrosion resistance class 2 as per Festo standard 940 070

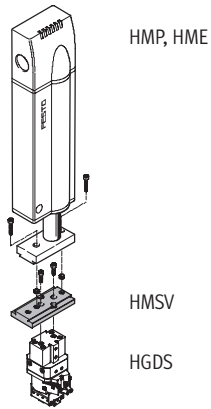
Components subject to moderate corrosion stress. Externally visible parts with primarily decorative surface requirements which are in direct contact with a normal industrial environment or media such as coolants or lubricating agents.

HMP, HME/HGDS connections

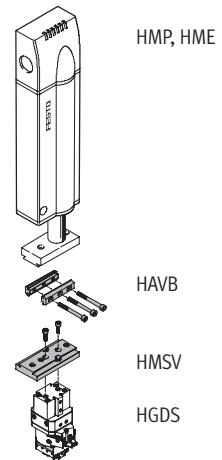
Technical data

Adapter kit HMSV, connecting kit HAVB

Material:
Wrought aluminium alloy, anodised
Centring sleeves: High-alloy steel
Free of copper, PTFE and silicone



Direct mounting

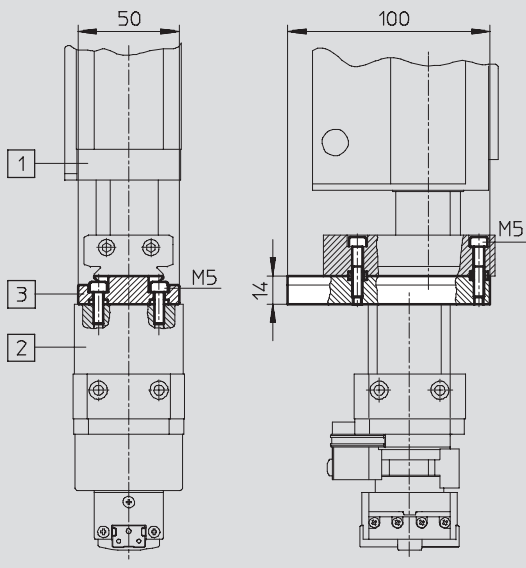


Dovetail mounting

Dimensions and ordering data

Download CAD data → www.festo.com

Direct mounting



- 1 Drive
- 2 Swivel/gripper unit
- 3 Adapter kit HMSV

Drive	Gripper	CRC ²⁾	Part No.	Type
HMP/HME-16 ¹⁾ HMP-20 HMP/HME-25 ¹⁾ HMP-32	HGDS-16 HGDS-20	2	534 290	HMSV-38

1) HME: Horizontal mounting position, vertical on request

2) Corrosion resistance class 2 as per Festo standard 940 070

Components subject to moderate corrosion stress. Externally visible parts with primarily decorative surface requirements which are in direct contact with a normal industrial environment or media such as coolants or lubricating agents.

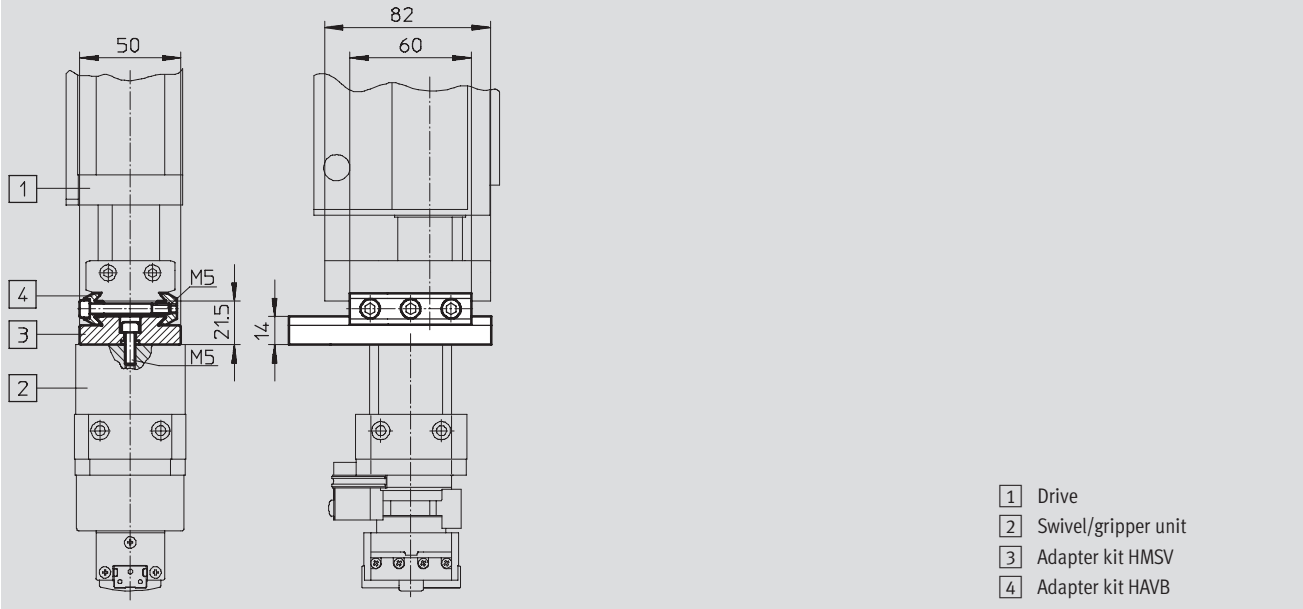
HMP, HME/HGDS connections

Technical data

Dimensions and ordering data

Download CAD data → www.festo.com

Dovetail mounting



Drive	Gripper	CRC ²⁾	Part No.	Type
HMP/HME-16 ¹⁾	HGDS-16		534 290	HMSV-38
HMP-20	HGDS-20	2	163 239	HAVB-3
HMP/HME-25 ¹⁾				
HMP-32				

1) HME: Horizontal mounting position, vertical on request

2) Corrosion resistance class 2 as per Festo standard 940 070

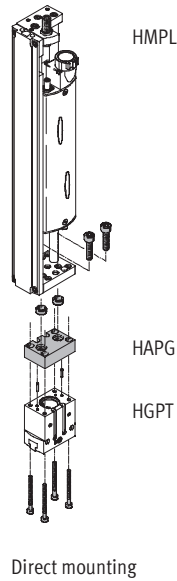
Components subject to moderate corrosion stress. Externally visible parts with primarily decorative surface requirements which are in direct contact with a normal industrial environment or media such as coolants or lubricating agents.

HMPL/HGPT connections

Technical data

Adapter kit HAPG

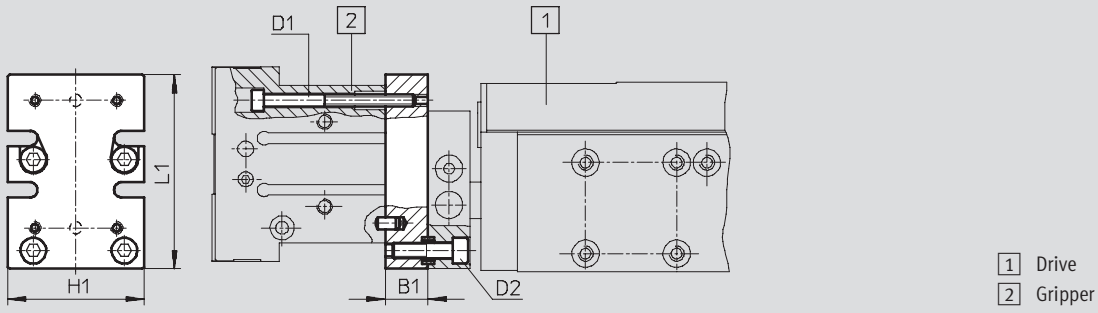
Material:
Wrought aluminium alloy, anodised
Centring pins/sleeves: High-alloy steel
Free of copper, PTFE and silicone



Dimensions and ordering data

Download CAD data → www.festo.com

Direct mounting



Drive	Gripper	B1	D1	D2	H1	L1	CRC ¹⁾	Part No.	Type
HMPL-12 HMPL-16	HGPT-16	12	M2	M5	24	35.8	2	537 167	HAPG-73
HMPL-12 HMPL-16	HGPT-20	12	M3	M5	28	44		537 176	HAPG-80
HMPL-16	HGPT-25	14	M4	M5	45	64		537 179	HAPG-82
HMPL-20	HGPT-25 HGPT-35	12	M4	M5	28	44		537 174	HAPG-78

1) Corrosion resistance class 2 as per Festo standard 940 070

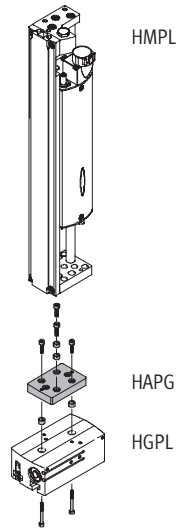
Components subject to moderate corrosion stress. Externally visible parts with primarily decorative surface requirements which are in direct contact with a normal industrial environment or media such as coolants or lubricating agents.

HMPL/HGPL connections

Technical data

Adapter kit HAPG

Material:
Wrought aluminium alloy, anodised
Centring sleeves: High-alloy steel
Free of copper, PTFE and silicone

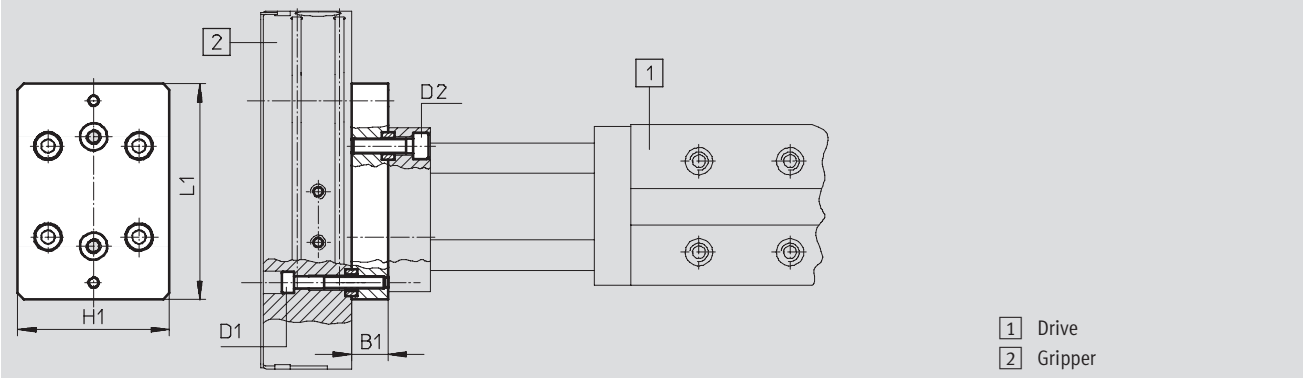


Direct mounting

Dimensions and ordering data

Download CAD data → www.festo.com

Direct mounting



Drive	Gripper	B1	D1	D2	H1	L1	CRC ¹⁾	Part No.	Type
HMPL-16 HMPL-20	HGPL-14	12	M4x30	M5x20	50	71	2	539 912	HAPG-93

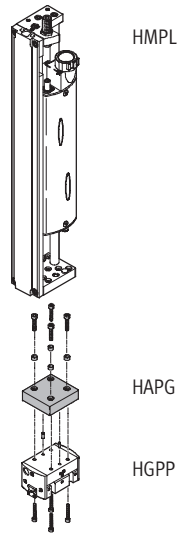
1) Corrosion resistance class 2 as per Festo standard 940 070
Components subject to moderate corrosion stress. Externally visible parts with primarily decorative surface requirements which are in direct contact with a normal industrial environment or media such as coolants or lubricating agents.

HMPL/HGPP connections

Technical data

Adapter kit HAPG

Material:
Wrought aluminium alloy, anodised
Centring pins/sleeves: High-alloy steel
Free of copper, PTFE and silicone

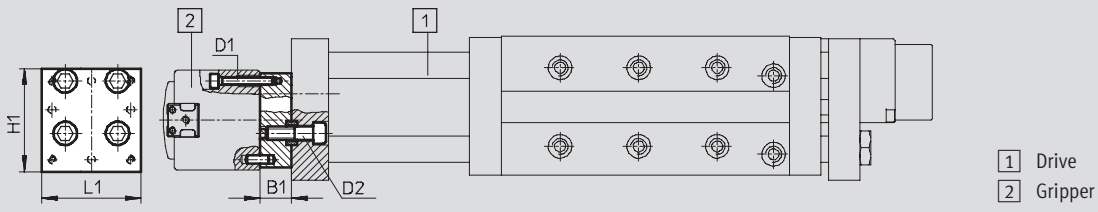


Direct mounting

Dimensions and ordering data

Download CAD data → www.festo.com

Direct mounting



Drive	Gripper	B1	D1	D2	H1	L1	CRC ¹⁾	Part No.	Type
HMPL-12	HGPP-12	12	M3	M5	38	39.5	2	191 899	HAPG-53
HMPL-16	HGPP-10	12	M3	M5	42	38		529 016	HAPG-56
HMPL-12	HGPP-16	12	M3	M5	62	40		191 901	HAPG-55
HMPL-20	HGPP-12	12	M3	M5	52	44		191 900	HAPG-54
HMPL-20	HGPP-16	12	M3	M5	62	40		191 901	HAPG-55

1) Corrosion resistance class 2 as per Festo standard 940 070

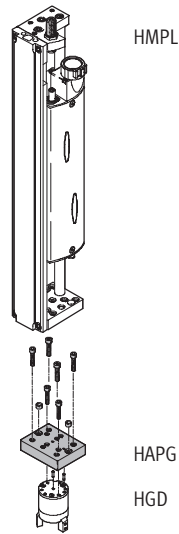
Components subject to moderate corrosion stress. Externally visible parts with primarily decorative surface requirements which are in direct contact with a normal industrial environment or media such as coolants or lubricating agents.

HMPL/HGP, HGD, HGW, HGR connections

Technical data

Adapter kit HAPG

Material:
Wrought aluminium alloy, anodised
Centring pins/sleeves: High-alloy steel
Free of copper, PTFE and silicone

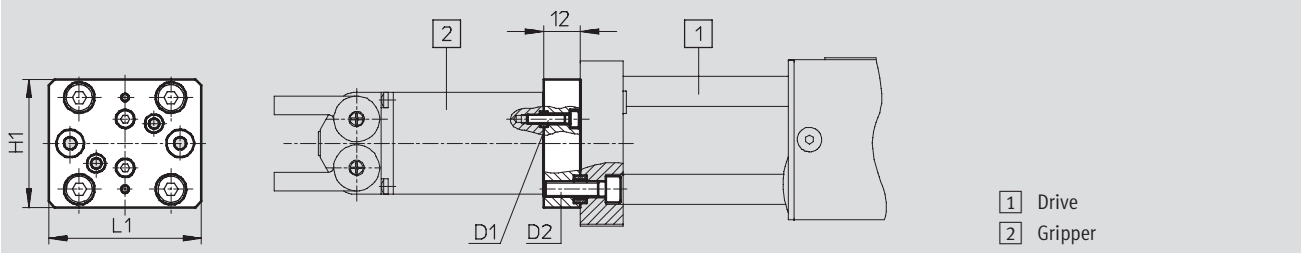


Direct mounting

Dimensions and ordering data

Download CAD data → www.festo.com

Direct mounting



Drive	Gripper	D1	D2	H1	L1	CRC ¹⁾	Part No.	Type
HMPL-12	HGP-10 HGR-16 HGW-16	M3	M5	30	30	2	192 708	HAPG-39-S1
HMPL-12	HGP-06 HGR-10 HGW-10	M3	M5	30	30		192 709	HAPG-60-S1
HMPL-16 HMPL-20	HGP-10 HGR-16 HGW-16	M3	M5	42	50		192 705	HAPG-36-S1
HMPL-16 HMPL-20	HGD-16	M3	M5	42	50		193 921	HAPG-36-S3
HMPL-16 HMPL-20	HGP-06 HGR-10 HGW-10	M3	M5	42	50		192 706	HAPG-37-S1
HMPL-16 HMPL-20	HGP-16 HGP-20 HGR-25 HGW-25	M4	M5	42	50		193 922	HAPG-37-S4

1) Corrosion resistance class 2 as per Festo standard 940 070

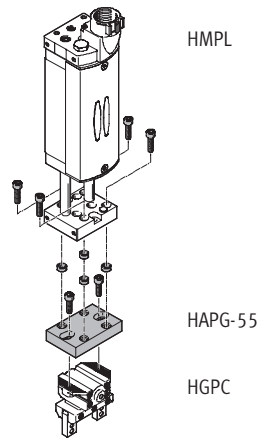
Components subject to moderate corrosion stress. Externally visible parts with primarily decorative surface requirements which are in direct contact with a normal industrial environment or media such as coolants or lubricating agents.

HMPL/HGPC connections

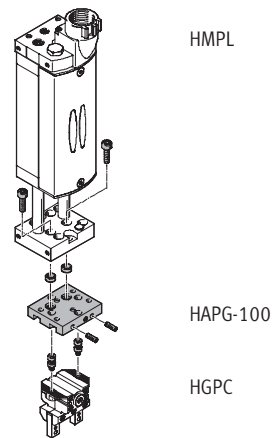
Technical data

Adapter kit HAPG

Material:
Wrought aluminium alloy, anodised
Centring sleeves: High-alloy steel
Free of copper, PTFE and silicone



Direct mounting

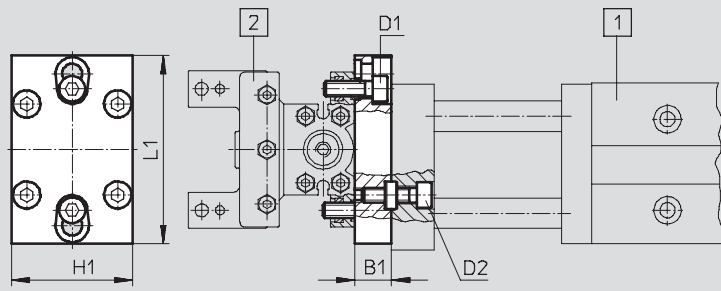


Direct mounting

Dimensions and ordering data

Download CAD data → www.festo.com

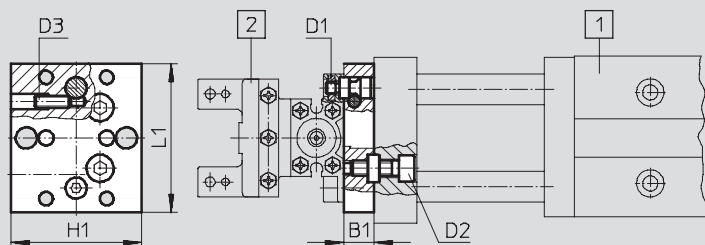
Direct mounting with HAPG-55



1 Drive
2 Gripper

Drive	Gripper	B1	D1	D2	H1	L1	CRC ¹⁾	Part No.	Type
HMPL-16	HGPC-16	12	M5	M5	40	62	2	191 901	HAPG-55
HMPL-20									
HMPL-20	HGPC-20	12	M6	M5	40	62			

Direct mounting with HAPG-100



1 Drive
2 Gripper

Drive	Gripper	B1	D1	D2	D3	H1	L1	CRC ¹⁾	Part No.	Type
HMPL-12	HGPC-12	10	M4	M5	M4	43	49	2	542 670	HAPG-100
HMPL-16										

1) Corrosion resistance class 2 as per Festo standard 940 070

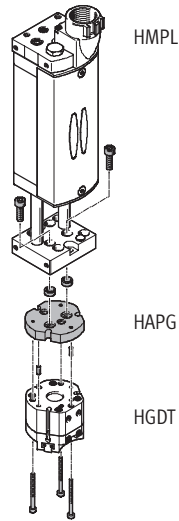
Components subject to moderate corrosion stress. Externally visible parts with primarily decorative surface requirements which are in direct contact with a normal industrial environment or media such as coolants or lubricating agents.

HMPL/HGDT connections

Technical data

Adapter kit HAPG

Material:
Wrought aluminium alloy, anodised
Centring pins/sleeves: High-alloy steel
Free of copper, PTFE and silicone

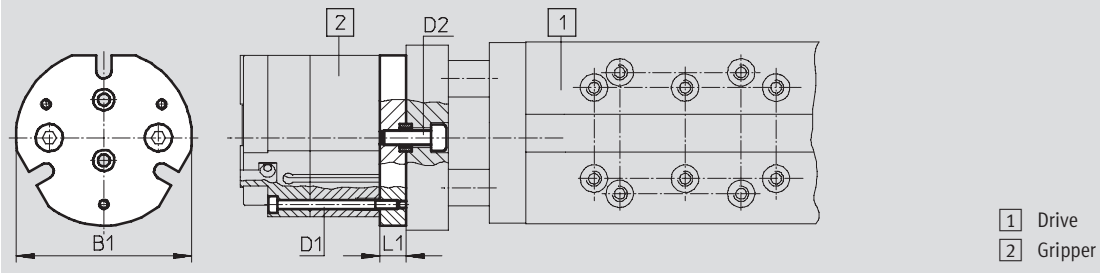


Direct mounting

Dimensions and ordering data

Download CAD data → www.festo.com

Direct mounting



Drive	Gripper	B1	D1	D2	L1	CRC ¹⁾	Part No.	Type
HMPL-12 HMPL-16	HGDT-25	49	M3	M5	8.5	2	542 433	HAPG-97
HMPL-20	HGDT-35	58	M3	M5	8.5		542 435	HAPG-99
HMPL-20	HGDT-40	74	M5	M5	12.5		542 437	HAPG-95

1) Corrosion resistance class 2 as per Festo standard 940 070
Components subject to moderate corrosion stress. Externally visible parts with primarily decorative surface requirements which are in direct contact with a normal industrial environment or media such as coolants or lubricating agents.

HMPL/HGDS connections

Technical data

Adapter kit

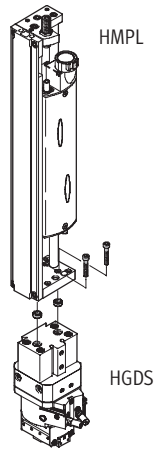
(user configured)

Material:

to DIN 912

Centring sleeves: High-alloy steel

Free of copper, PTFE and silicone

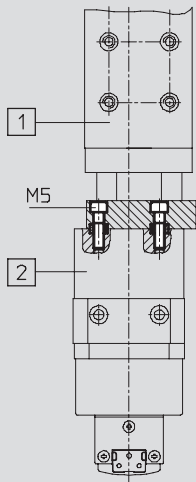


Direct mounting

Dimensions and ordering data

Download CAD data → www.festo.com

Direct mounting



- 1 Drive
- 2 Swivel/gripper unit

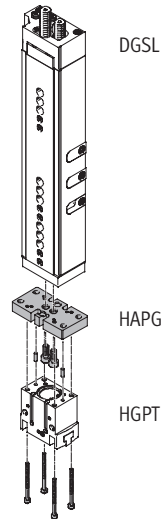
Drive	Gripper	Part No.	Type
HMPL-12 HMPL-16	HGDS-12	–	2x M5x18 DIN 912 2x ZBH-9
HMPL-16 HMPL-20	HGDS-16 HGDS-20	–	2x M5x18 DIN 912 2x ZBH-9

DGSL/HGPT connections

Technical data

Adapter kit HAPG

Material:
Wrought aluminium alloy, anodised
Centring pins/sleeves: High-alloy steel
Free of copper, PTFE and silicone

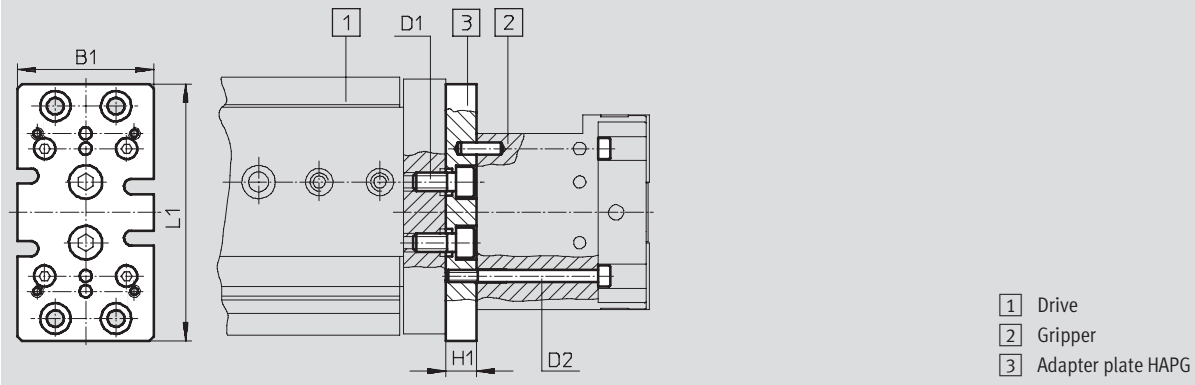


Direct mounting

Dimensions and ordering data

Download CAD data → www.festo.com

Direct mounting



Drive	Gripper	B1	D1	D2	H1	L1	CRC ¹⁾	Part No.	Type				
DGSL-8/10	HGPT-16	27	M4	M2.5	8	49.6	2	537 169	HAPG-75				
	HGPT-20			M3									
DGSL-12/16	HGPT-16	33	M5	M2.5	10	65.6			2	537 170	HAPG-76		
	HGPT-20			M3									
DGSL-12/16	HGPT-25	38	M5	M4	10	65.6					2	537 180	HAPG-83
DGSL-20/25	HGPT-25/35	45	M6	M4	10	84.6							537 175
DGSL-20/25							HGPT-40	57					

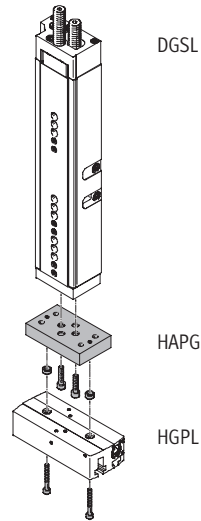
1) Corrosion resistance class 2 as per Festo standard 940 070
Components subject to moderate corrosion stress. Externally visible parts with primarily decorative surface requirements which are in direct contact with a normal industrial environment or media such as coolants or lubricating agents.

DGSL/HGPL connections

Technical data

Adapter kit HAPG

Material:
Wrought aluminium alloy, anodised
Centring pins/sleeves: High-alloy steel
Free of copper, PTFE and silicone

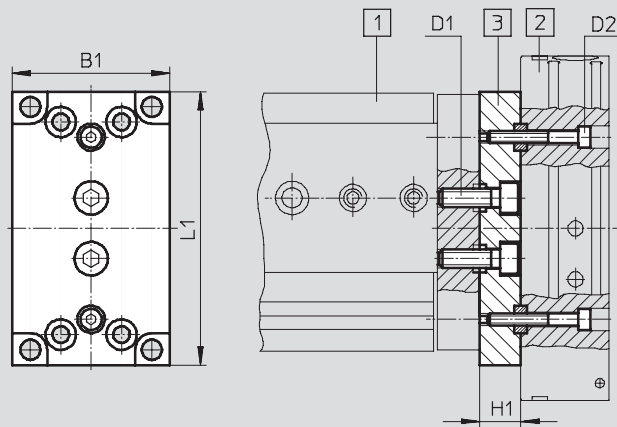


Direct mounting

Dimensions and ordering data

Download CAD data → www.festo.com

Direct mounting



- 1 Drive
- 2 Gripper
- 3 Adapter plate HAPG

Drive	Gripper	B1	D1	D2	H1	L1	CRC ¹⁾	Part No.	Type
DGSL-16	HGPL-14	44	M5	M4	14	75	2	538 055	HAPG-89
DGSL-20/25	HGPL-14	52	M6		13.5	90		539 274	HAPG-90
DGSL-25	HGPL-25								

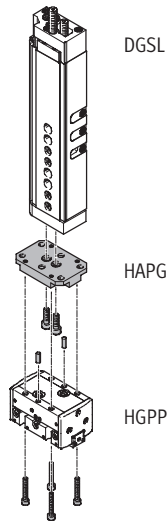
1) Corrosion resistance class 2 as per Festo standard 940 070
Components subject to moderate corrosion stress. Externally visible parts with primarily decorative surface requirements which are in direct contact with a normal industrial environment or media such as coolants or lubricating agents.

DGSL/HGPP connections

Technical data

Adapter kit HAPG

Material:
Wrought aluminium alloy, anodised
Centring pins/sleeves: High-alloy steel
Free of copper, PTFE and silicone

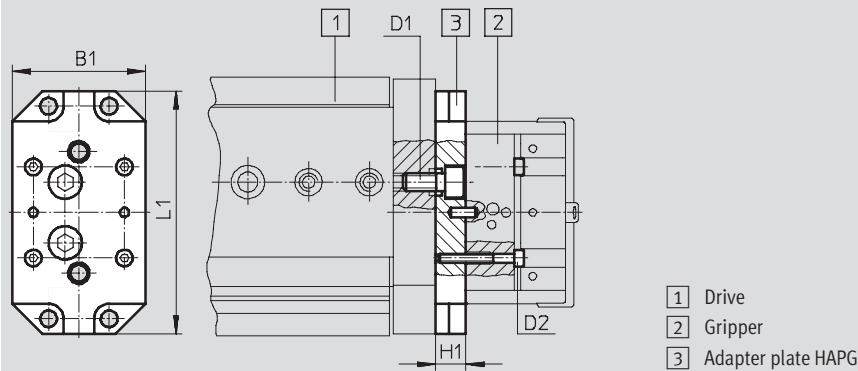


Direct mounting

Dimensions and ordering data

Download CAD data → www.festo.com

Direct mounting



Drive	Gripper	B1	D1	D2	H1	L1	CRC ¹⁾	Part No.	Type
DGSL-8/10	HGPP-10	33	M4	M3	8	49.6	2	529 017	HAPG-57
DGSL-12/16	HGPP-10		M5			65		529 018	HAPG-58
DGSL-12/16	HGPP-12	36	M6		10	80		191 266	HAPG-48
DGSL-20/25	HGPP-12	44			12	91		191 267	HAPG-49
DGSL-20/25	HGPP-16				M4	191 269		HAPG-51	
DGSL-20/25	HGPP-20	58				191 270		HAPG-52	

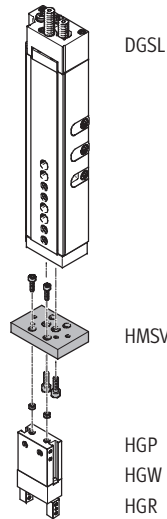
1) Corrosion resistance class 2 as per Festo standard 940 070
Components subject to moderate corrosion stress. Externally visible parts with primarily decorative surface requirements which are in direct contact with a normal industrial environment or media such as coolants or lubricating agents.

DGSL/HGP, HGW, HGR connections

Technical data

Adapter kit HMSV

Material:
Wrought aluminium alloy, anodised
Centring pins/sleeves: High-alloy steel
Free of copper, PTFE and silicone

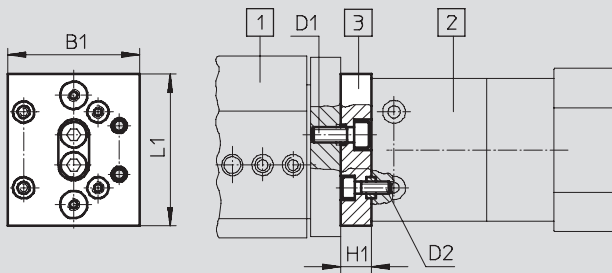


Direct mounting

Dimensions and ordering data

Download CAD data → www.festo.com

Direct mounting



- 1 Drive
- 2 Gripper
- 3 Adapter plate HMSV

Drive	Gripper	B1	D1	D2	H1	L1	CRC ¹⁾	Part No.	Type
DGSL-4/6	HGP-6	17	M3	M3	8	40	2	548 783	HMSV-53
DGSL-8/10	HGP-10 HGR-10 HGW-10	33	M4	M3	9	50		548 784	HMSV-54
DGSL-12/16	HGP-16	43.5	M6	M4	10	50		548 785	HMSV-55
	HGR-16 HGW-16			M3					
DGSL-20/25	HGP-20	73	M6	M4	12	100	548 786	HMSV-56	
	HGR-25 HGW-25			M4					
	HGP-25			M6					
	HGR-32 HGW-32								

1) Corrosion resistance class 2 as per Festo standard 940 070

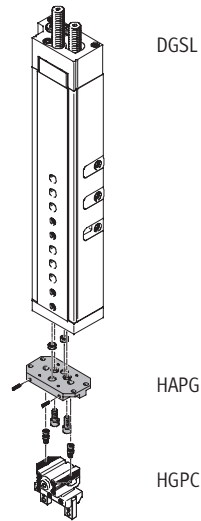
Components subject to moderate corrosion stress. Externally visible parts with primarily decorative surface requirements which are in direct contact with a normal industrial environment or media such as coolants or lubricating agents.

DGSL/HGPC connections

Technical data

Adapter kit HAPG

Material:
Wrought aluminium alloy, anodised
Centring pins/sleeves: High-alloy steel
Free of copper, PTFE and silicone

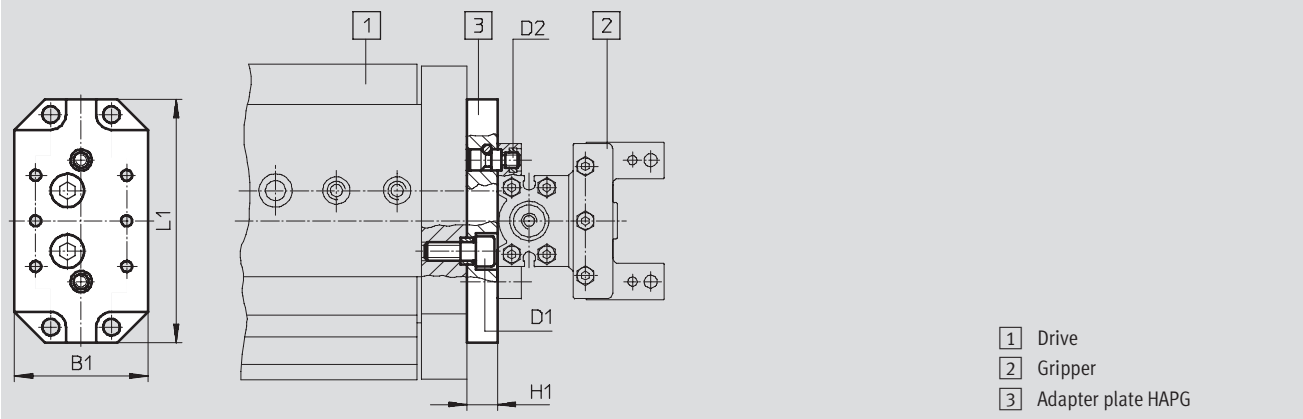


Direct mounting

Dimensions and ordering data

Download CAD data → www.festo.com

Direct mounting



- 1 Drive
- 2 Gripper
- 3 Adapter plate HAPG

Drive	Gripper	B1	D1	D2	H1	L1	CRC ¹⁾	Part No.	Type
DGSL-12/-16	HGPC-12	33	M5	M4	9	65	2	529 018	HAPG-58
DGSL-20/-25	HGPC-16	44	M6	M5	10	80		191 267	HAPG-49
DGSL-20/25	HGPC-20	58	M6	M6	12	91		191 269	HAPG-51

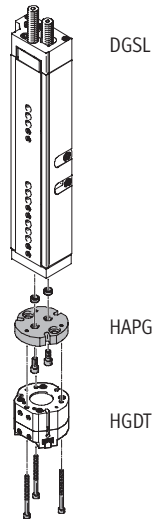
1) Corrosion resistance class 2 as per Festo standard 940 070
Components subject to moderate corrosion stress. Externally visible parts with primarily decorative surface requirements which are in direct contact with a normal industrial environment or media such as coolants or lubricating agents.

DGSL/HGDT connections

Technical data

Adapter kit HAPG

Material:
Wrought aluminium alloy, anodised
Centring pins/sleeves: High-alloy steel
Free of copper, PTFE and silicone

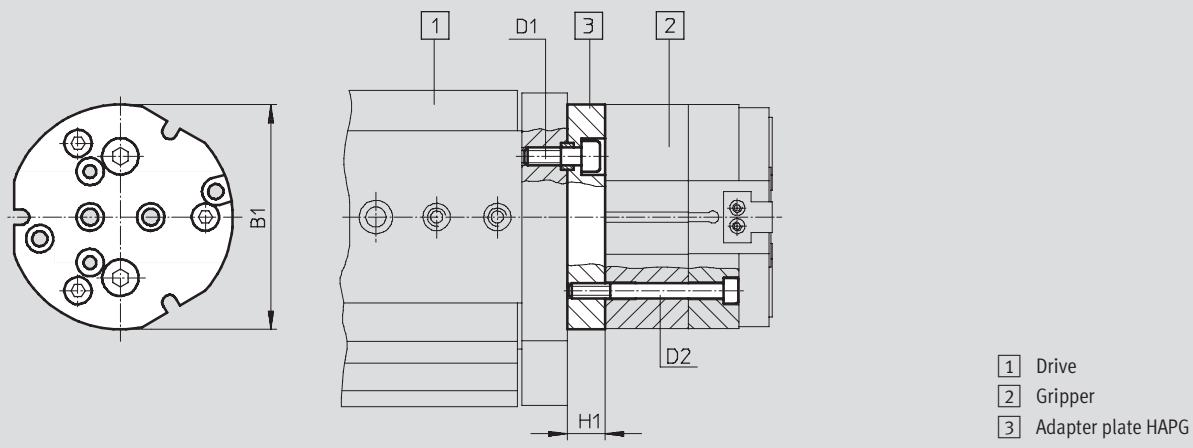


Direct mounting

Dimensions and ordering data

Download CAD data → www.festo.com

Direct mounting



Drive	Gripper	B1	D1	D2	H1	CRC ¹⁾	Part No.	Type
DGSL-16	HGDT-25	48	M5	M3	10	2	542 439	HAPG-SD2-32
DGSL-16	HGDT-35	58	M6	M3	11		542 436	HAPG-94
DGSL-20/25	HGDT-35	58	M6	M3	11		548 805	ZBV-9-7 ²⁾
DGSL-20/25	HGDT-40	74	M6	M5	12.5		542 437	HAPG-95
DGSL-25	HGDT-50	92	M6	M5	11.5		542 443	HAPG-SD2-36
							548 806	ZBV-12-9 ²⁾

1) Corrosion resistance class 2 as per Festo standard 940 070
Components subject to moderate corrosion stress. Externally visible parts with primarily decorative surface requirements which are in direct contact with a normal industrial environment or media such as coolants or lubricating agents.

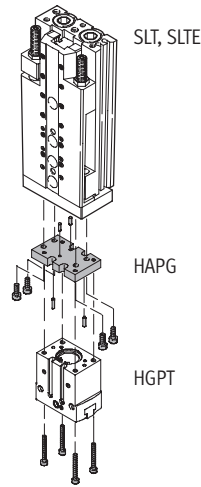
2) Centring sleeve for centring the adapter kit HAPG on the mini slide DGSL

SLT, SLTE/HGPT connections

Technical data

Adapter kit HAPG

Material:
Wrought aluminium alloy, anodised
Centring pins/sleeves: High-alloy steel
Free of copper, PTFE and silicone

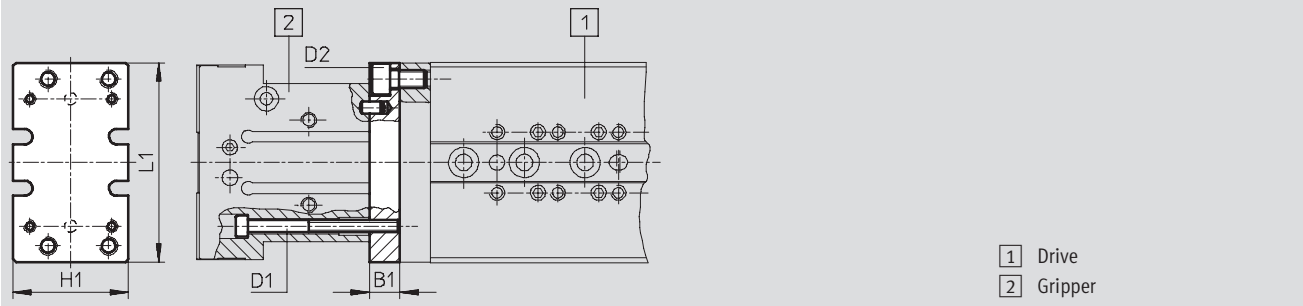


Direct mounting

Dimensions and ordering data

Download CAD data → www.festo.com

Direct mounting



Drive	Gripper	B1	D1	D2	H1	L1	CRC ¹⁾	Part No.	Type
SLT-6	HGPT-16	6	M2	M3	24	38.6	2	537 168	HAPG-74
SLT/SLTE-10	HGPT-16	8	M2	M3	27	49.6		537 169	HAPG-75
	HGPT-20		M3					537 170	HAPG-76
SLT/SLTE-16	HGPT-16	10	M2	M5	33	65.6		537 180	HAPG-83
	HGPT-20		M3					537 175	HAPG-79
SLT/SLTE-16	HGPT-25	10	M4	M5	38	65.6		537 172	HAPG-77
SLT-20	HGPT-25/35	10	M4	M5	45	84.6		537 183	HAPG-85
SLT-25	HGPT-35	12	M4	M6	54	100			
SLT-25	HGPT-40	12	M5	M6	57	103.6			

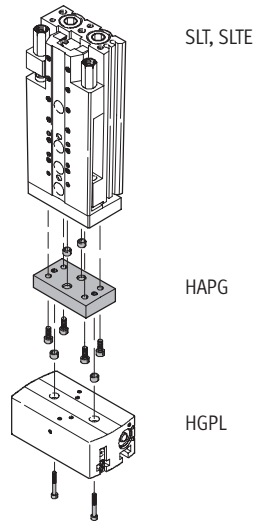
1) Corrosion resistance class 2 as per Festo standard 940 070
Components subject to moderate corrosion stress. Externally visible parts with primarily decorative surface requirements which are in direct contact with a normal industrial environment or media such as coolants or lubricating agents.

SLT, SLTE/HGPL connections

Technical data

Adapter kit HAPG

Material:
Wrought aluminium alloy, anodised
Centring sleeves: High-alloy steel
Free of copper, PTFE and silicone

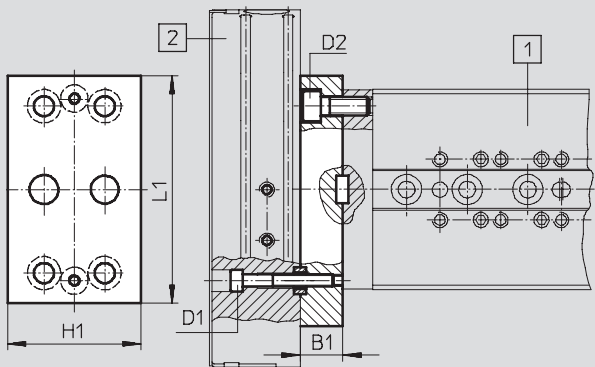


Direct mounting

Dimensions and ordering data

Download CAD data → www.festo.com

Direct mounting



1 Drive
2 Gripper

Drive	Gripper	B1	D1	D2	H1	L1	CRC ²⁾	Part No.	Type
SLT/SLTE-16	HGPL-14 ¹⁾	14	M4	M5	44	75	2	538 055	HAPG-89
SLT-20 SLT-25	HGPL-14 HGPL-25 ¹⁾	13.5	M4	M5	52	90		539 274	HAPG-90

1) Only in combination with mini slide SLT...-CC-B (with adjustable shock absorbers) or mini slide SLTE

2) Corrosion resistance class 2 as per Festo standard 940 070

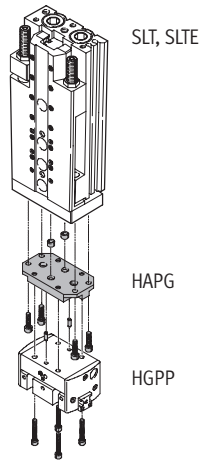
Components subject to moderate corrosion stress. Externally visible parts with primarily decorative surface requirements which are in direct contact with a normal industrial environment or media such as coolants or lubricating agents.

SLT, SLTE/HGPP connections

Technical data

Adapter kit HAPG

Material:
Wrought aluminium alloy, anodised
Centring pins/sleeves: High-alloy steel
Free of copper, PTFE and silicone

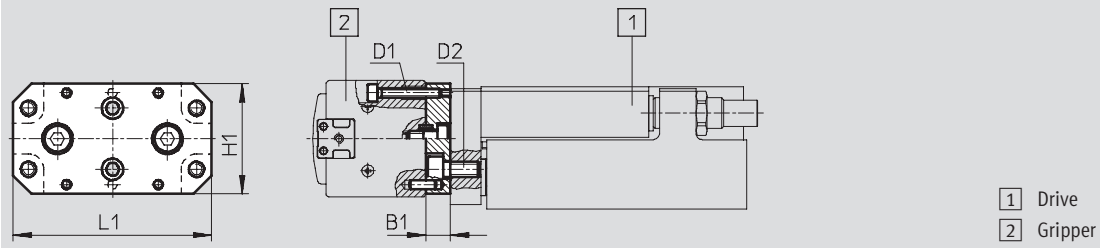


Direct mounting

Dimensions and ordering data

Download CAD data → www.festo.com

Direct mounting



Drive	Gripper	B1	D1	D2	H1	L1	CRC ¹⁾	Part No.	Type
SLT/SLTE-10	HGPP-10	8	M3	M4	33	49.6	2	529 017	HAPG-57
SLT/SLTE-16	HGPP-10	8	M3	M5	33	65		529 018	HAPG-58
SLT/SLTE-16	HGPP-12	8	M3	M5	36	65		191 266	HAPG-48
SLT-20	HGPP-12	10	M3	M5	44	80		191 267	HAPG-49
SLT-20	HGPP-16	10	M3	M5	44	80		191 268	HAPG-50
SLT-25	HGPP-16	12	M3	M6	58	91		191 269	HAPG-51
SLT-25	HGPP-20	12	M4	M6	58	91		191 270	HAPG-52

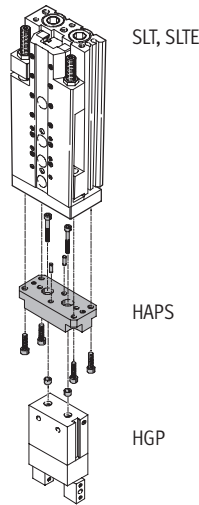
1) Corrosion resistance class 2 as per Festo standard 940 070
Components subject to moderate corrosion stress. Externally visible parts with primarily decorative surface requirements which are in direct contact with a normal industrial environment or media such as coolants or lubricating agents.

SLT, SLTE/HGP, HGW, HGR connections

Technical data

Adapter kit HAPS

Material:
Wrought aluminium alloy, anodised
Centring pins/sleeves: High-alloy steel
Free of copper, PTFE and silicone

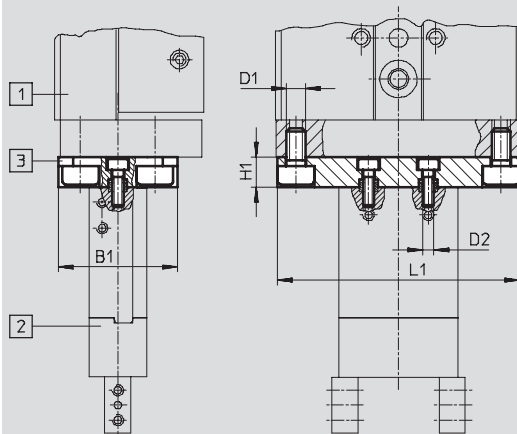


Direct mounting

Dimensions and ordering data

Download CAD data → www.festo.com

Direct mounting



- 1 Drive
- 2 Gripper
- 3 Adapter kit

Drive	Gripper	B1	D1	D2	H1	L1	CRC ¹⁾	Part No.	Type
SLT-6	HGP-6	16	M3	M3	8	36	2	178 447	HAPS-1
SLT/SLTE-10	HGR-10 HGW-10	28	M4	M3	8	48		178 448	HAPS-2
SLT/SLTE-16	HGP-10 HGR-16 HGW-16	32	M5	M3	8	65		178 449	HAPS-3
SLT-20	HGP-16 HGP-20 HGR-25 HGW-25	44	M5	M5	10	80		178 450	HAPS-4
SLT-25	HGP-25 HGR-32 HGW-32	58	M6	M6	12	91		178 451	HAPS-5

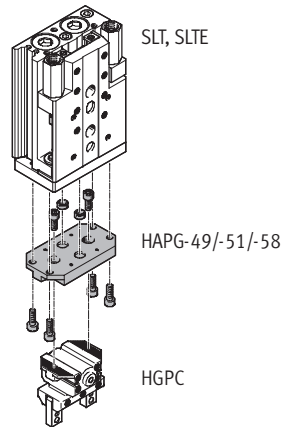
1) Corrosion resistance class 2 as per Festo standard 940 070
Components subject to moderate corrosion stress. Externally visible parts with primarily decorative surface requirements which are in direct contact with a normal industrial environment or media such as coolants or lubricating agents.

SLT, SLTE/HGPC connections

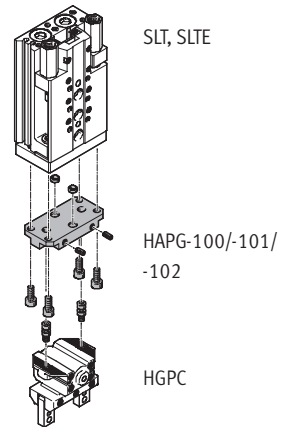
Technical data

Adapter kit HAPG

Material:
Wrought aluminium alloy, anodised
Centring sleeves: High-alloy steel
Free of copper, PTFE and silicone



Direct mounting

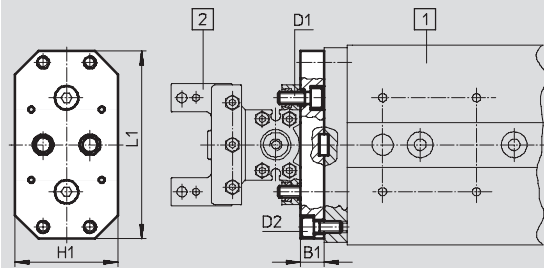


Direct mounting

Dimensions and ordering data

Download CAD data → www.festo.com

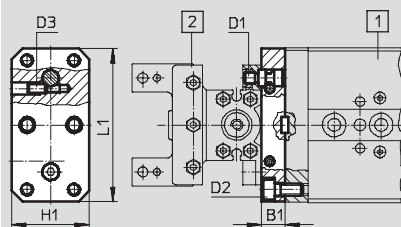
Direct mounting with HAPG-49/-51/-58



- 1 Drive
- 2 Gripper

Drive	Gripper	B1	D1	D2	H1	L1	CRC ¹⁾	Part No.	Type
SLT/SLTE-16	HGPC-12	8	M4	M5	33	65	2	529 018	HAPG-58
SLT-20	HGPC-16	10	M5	M5	44	80		191 267	HAPG-49
SLT-25	HGPC-20	12	M6	M6	58	91		191 269	HAPG-51

Direct mounting with HAPG-100/-101/-102



- 1 Drive
- 2 Gripper

Drive	Gripper	B1	D1	D2	D3	H1	L1	CRC ¹⁾	Part No.	Type
SLT/SLTE-10	HGPC-12	10	M4	M4	M4	43	49	2	542 670	HAPG-100
SLT/SLTE-16	HGPC-16	10	M5	M5	M4	33	65		542 666	HAPG-101
SLT-20	HGPC-20	10	M6	M5	M4	44	80		542 667	HAPG-102

1) Corrosion resistance class 2 as per Festo standard 940 070

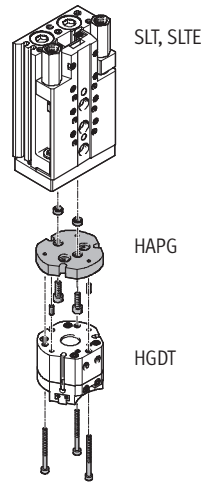
Components subject to moderate corrosion stress. Externally visible parts with primarily decorative surface requirements which are in direct contact with a normal industrial environment or media such as coolants or lubricating agents.

SLT, SLTE/HGDT connections

Technical data

Adapter kit HAPG

Material:
Wrought aluminium alloy, anodised
Centring pins/sleeves: High-alloy steel
Free of copper, PTFE and silicone

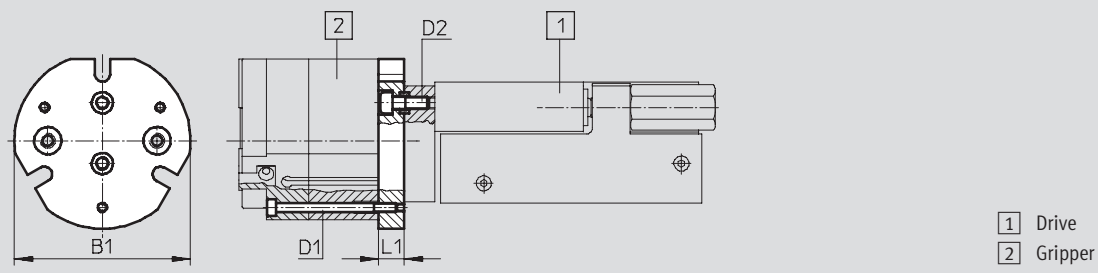


Direct mounting

Dimensions and ordering data

Download CAD data → www.festo.com

Direct mounting



Drive	Gripper	B1	D1	D2	L1	CRC ¹⁾	Part No.	Type
SLT/SLTE-16	HGDT-25	49	M3	M4	8.5	2	542 433	HAPG-97
SLT/SLTE-16	HGDT-35	58	M3	M4	8.5		542 435	HAPG-99
SLT-20	HGDT-25	49	M3	M5	10		542 439	HAPG-SD2-32
SLT-20	HGDT-35	58	M3	M5	11		542 436	HAPG-94
SLT-25				M6				
SLT-20	HGDT-40	74	M5	M5	12.5		542 437	HAPG-95
SLT-25				M6				
SLT-25	HGDT-50	92	M6	M6	11.5		542 443	HAPG-SD2-36

1) Corrosion resistance class 2 as per Festo standard 940 070

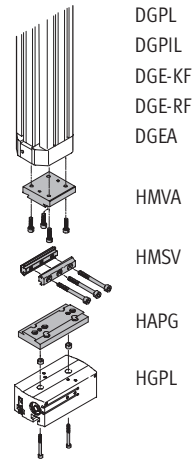
Components subject to moderate corrosion stress. Externally visible parts with primarily decorative surface requirements which are in direct contact with a normal industrial environment or media such as coolants or lubricating agents.

DG.../HGPL connections

Technical data

Adapter kit HMVA, HAPG, HMSV

Material:
Wrought aluminium alloy, anodised
Centring sleeves: High-alloy steel
Free of copper, PTFE and silicone

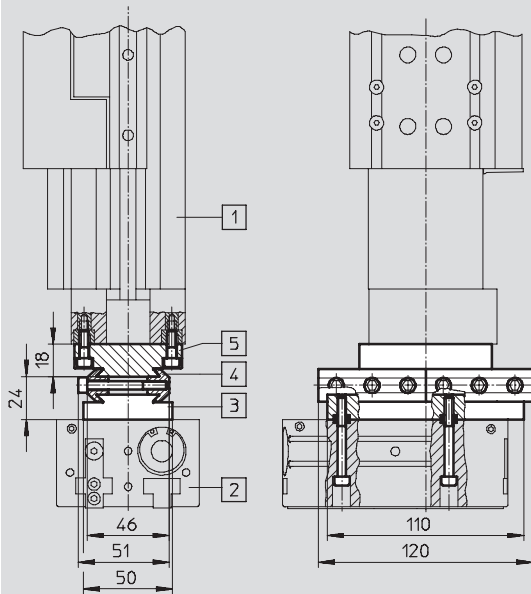


Dovetail mounting

Dimensions and ordering data

Download CAD data → www.festo.com

Dovetail mounting



- 1 Linear drive
- 2 Gripper
- 3 Adapter kit HAPG
- 4 Adapter kit HMSV
- 5 Adapter kit HMVA

Drive	Gripper	CRC ¹⁾	Part No.	Type
DG...-40	HGPL-25	2	196 790	HMVA-DLA40
			177 653	HMSV-7
			539 887	HAPG-92

1) Corrosion resistance class 2 as per Festo standard 940 070
Components subject to moderate corrosion stress. Externally visible parts with primarily decorative surface requirements which are in direct contact with a normal industrial environment or media such as coolants or lubricating agents.

DG.../HGPP connections

Technical data



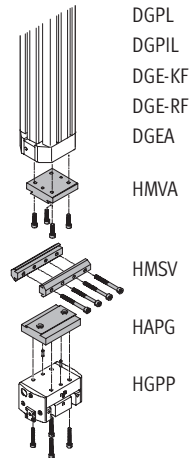
Adapter kit HMVA, HAPG, HMSV

Material:

Wrought aluminium alloy, anodised

Centring pins/sleeves: High-alloy steel

Free of copper, PTFE and silicone

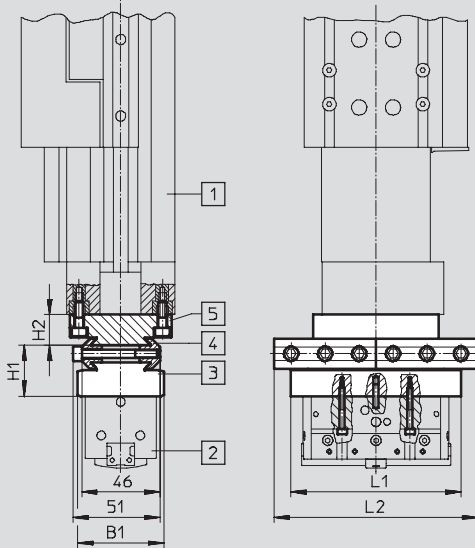


Dovetail mounting

Dimensions and ordering data

Download CAD data → www.festo.com

Dovetail mounting



- 1 Linear drive
- 2 Gripper
- 3 Adapter kit HAPG
- 4 Adapter kit HMSV
- 5 Adapter kit HMVA

DG.../HGPP connections

Technical data

FESTO

Drive	Gripper	B1	H1	H2	L1	L2	CRC ¹⁾	Part No.	Type	Part No.	Type
DGP...-25	HGPP-12	44	30	14	85	100	2	191 262	HAPG-44	196 788	HMVA-DLA18/25
DGE-25	HGPP-16	44	30	14	100	100		191 263	HAPG-45	177 649	HMSV-3
DGEA-18											
DGP...-32	HGPP-16	51	30	18	100	120		191 264	HAPG-46	196 789	HMVA-DL32
DGP...-40	HGPP-16	51	30	18	100	120		191 264	HAPG-46	196 790	HMVA-DLA40
	HGPP-20	50	22	18	110	120		191 265	HAPG-47		
	HGPP-25	60	28	18	110	120		529 019	HAPG-59		
	HGPP-32	60	28	18	133	120		529 020	HAPG-61		
DGE-40									177 653	HMSV-7	

1) Corrosion resistance class 2 as per Festo standard 940 070

Components subject to moderate corrosion stress. Externally visible parts with primarily decorative surface requirements which are in direct contact with a normal industrial environment or media such as coolants or lubricating agents.

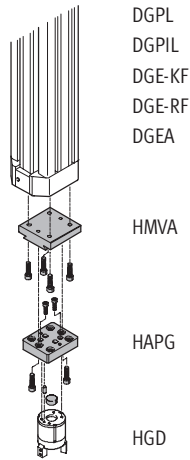
DG.../HGD connections

Technical data

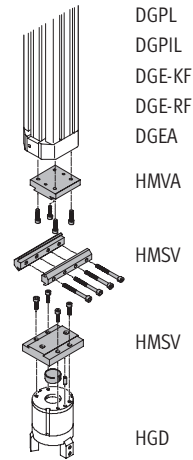


Adapter kit HMVA, HAPG, HMSV

Material:
Wrought aluminium alloy, anodised
Centring pins/sleeves: High-alloy steel
Free of copper, PTFE and silicone



Direct mounting

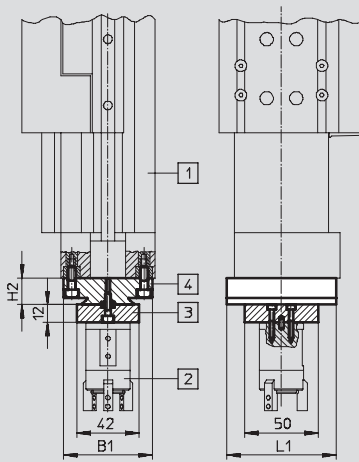


Dovetail mounting

Dimensions and ordering data

Download CAD data → www.festo.com

Direct mounting



- 1 Linear drive
- 2 Gripper
- 3 Adapter kit HAPG
- 4 Adapter kit HMVA

Drive	Gripper	B1	H2	L1	CRC ¹⁾	Part No.	Type
DGP...-25	HGD-16	50	14	50	2	196 788	HMVA-DLA18/25
DGE-25						193 921	HAPG-36-S3
DGEA-18							
DGP...-32	HGD-16	60	18	74		196 789	HMVA-DL32
						193 921	HAPG-36-S3
DGP...-40	HGD-16	60	18	74		196 790	HMVA-DLA40
DGE-40					193 921	HAPG-36-S3	

1) Corrosion resistance class 2 as per Festo standard 940 070
Components subject to moderate corrosion stress. Externally visible parts with primarily decorative surface requirements which are in direct contact with a normal industrial environment or media such as coolants or lubricating agents.

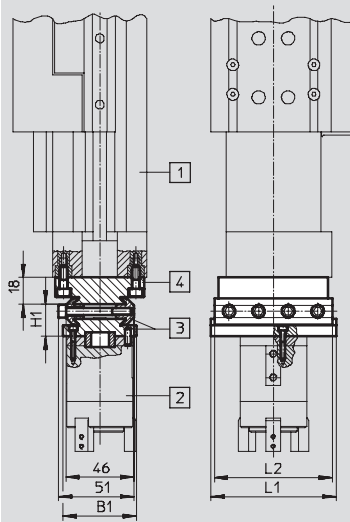
DG.../HGD connections

Technical data

Dimensions and ordering data

Download CAD data → www.festo.com

Dovetail mounting



- 1 Linear drive
- 2 Gripper
- 3 Adapter kit HMSV
- 4 Adapter kit HMVA

Drive	Gripper	B1	H1	L1	L2	CRC ¹⁾	Part No.	Type
DG...-32	HGD-32	50	22	85	80	2	196 789	HMVA-DL32
							178 212	HMSV-32
DGP...-40	HGD-32	70	24	110	100		196 790	HMVA-DLA40
DGE-40							178 212	HMSV-32
DGEA-40								
DGP...-40	HGD-50	70	24	110	100		196 790	HMVA-DLA40
DGE-40						178 213	HMSV-33	
DGEA-40								

1) Corrosion resistance class 2 as per Festo standard 940 070

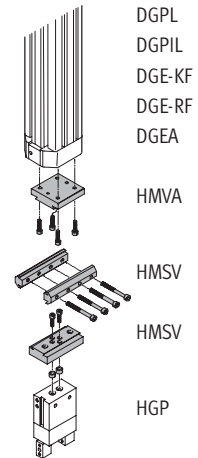
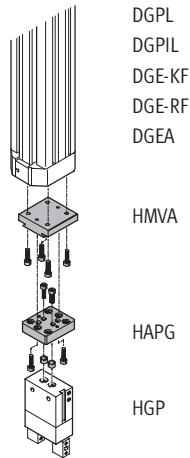
Components subject to moderate corrosion stress. Externally visible parts with primarily decorative surface requirements which are in direct contact with a normal industrial environment or media such as coolants or lubricating agents.

DG.../HGP, HGW, HGR connections

Technical data

Adapter kit HMVA, HAPG, HMSV

Material:
Wrought aluminium alloy, anodised
Centring sleeves: High-alloy steel
Free of copper, PTFE and silicone



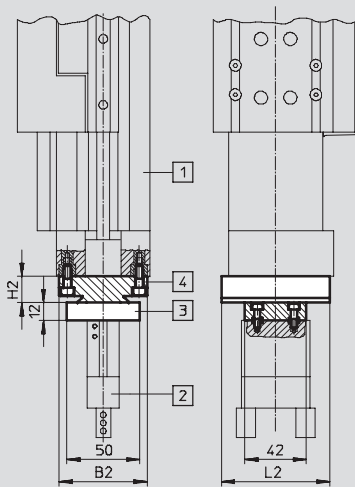
Direct mounting

Dovetail mounting

Dimensions

Download CAD data → www.festo.com

Direct mounting



- 1 Linear drive
- 2 Gripper
- 3 Adapter kit HAPG
- 4 Adapter kit HMVA

DG.../HGP, HGW, HGR connections

Technical data

Drive	Gripper	B2	H2	L2	CRC ¹⁾	Part No.	Type	Part No.	Type
DGP...-25 DGE-25 DGEA-18	HGP-06 HGR-10 HGW-10	50	14	50	2	196 788	HMVA-DLA18/25	192 706	HAPG-37-S1
DGP...-32		60	18	74		196 789	HMVA-DL32		
DGP...-40 DGE-40		60	18	74		196 790	HMVA-DLA40		
DGP...-25 DGE-25 DGEA-18	HGP-10 HGR-16 HGW-16	50	14	50		196 788	HMVA-DLA18/25	192 705	HAPG-36-S1
DGP...-32		60	18	74		196 789	HMVA-DL32		
DGP...-40 DGE-40		60	18	74		196 790	HMVA-DLA40		
DGP...-25 DGE-25 DGEA-18	HGP-16 HGR-25 HGW-25	50	14	50		196 788	HMVA-DLA18/25	193 922	HAPG-37-S4
DGP...-32		60	18	74		196 789	HMVA-DL32		
DGP...-40 DGE-40		60	18	74		196 790	HMVA-DLA40		

1) Corrosion resistance class 2 as per Festo standard 940 070

Components subject to moderate corrosion stress. Externally visible parts with primarily decorative surface requirements which are in direct contact with a normal industrial environment or media such as coolants or lubricating agents.

DG.../HGP, HGW, HGR connections

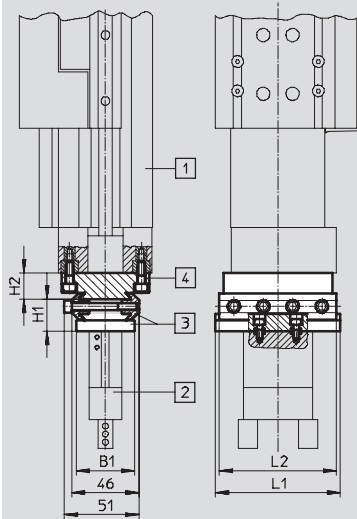
Technical data

FESTO

Dimensions and ordering data

Download CAD data → www.festo.com

Dovetail mounting



- 1 Linear drive
- 2 Gripper
- 3 Adapter kit HMSV
- 4 Adapter kit HMVA

Drive	Gripper	B1	H1	H2	L1	L2	CRC ¹⁾	Part No.	Type	Part No.	Type
DGP...-25 DGE-25 DGEA-18	HGP-10 HGR-16 HGW-16	40	22	14	85	80	2	196 788	HMVA-DLA18/25	177 767	HMSV-27
DGP...-32		40	22	18	85	80		196 789	HMVA-DL32		
DGP...-40 DGE-40		40	22	18	85	80		196 790	HMVA-DLA40		
DGP...-25 DGE-25 DGEA-18	HGP-16 HGR-25 HGW-25	40	22	14	85	80		196 788	HMVA-DLA18/25	177 768	HMSV-28
DGP...-32		40	22	18	85	80		196 789	HMVA-DL32		
DGP...-40 DGE-40		40	22	18	85	80		196 790	HMVA-DLA40		
DGP...-32	HGP-25 HGR-32	50	24	18	100	100		196 789	HMVA-DL32	177 769	HMSV-29
DGP...-40 DGE-40		50	24	18	100	100		196 790	HMVA-DLA40		
DGP...-40 DGE-40	HGP-35 HGR-40 HGW-40	60	28	18	110	100		196 790	HMVA-DLA40	177 770	HMSV-30

1) Corrosion resistance class 2 as per Festo standard 940 070

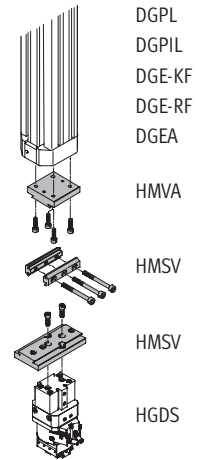
Components subject to moderate corrosion stress. Externally visible parts with primarily decorative surface requirements which are in direct contact with a normal industrial environment or media such as coolants or lubricating agents.

DG.../HGDS connections

Technical data

Adapter kit HMVA, HMSV

Material:
Wrought aluminium alloy, anodised
Centring sleeves: High-alloy steel
Free of copper, PTFE and silicone

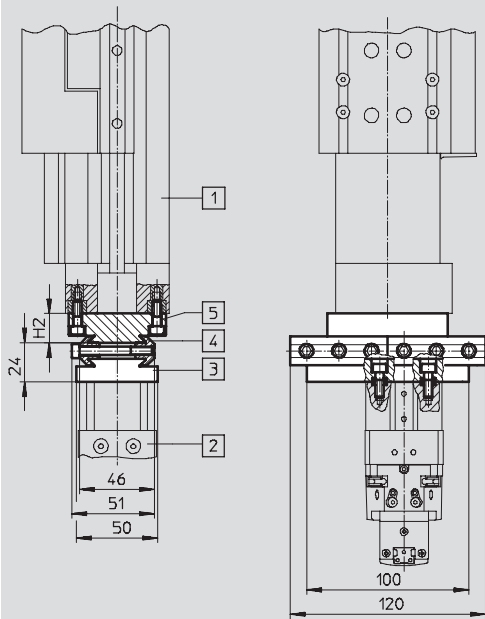


Dovetail mounting

Dimensions and ordering data

Download CAD data → www.festo.com

Dovetail mounting



- 1 Linear drive
- 2 Swivel/gripper unit
- 3 Adapter kit HMSV
- 4 Adapter kit HMSV
- 5 Adapter kit HMVA

Drive	Gripper	H2	CRC ¹⁾	Part No.	Type	Part No.	Type	
DGP...-25	HGDS-12 ... 20	14	2	196 788	HMVA-DLA18/25	177 653	HMSV-7	
DGE-25						534 290	HMSV-38	
DGEA-18								
DGP...-32	HGDS-12 ... 20	18			196 789	HMVA-DL32		
DGP...-40	HGDS-12 ... 20	18			196 790	HMVA-DLA40		
DGE-40								

1) Corrosion resistance class 2 as per Festo standard 940 070

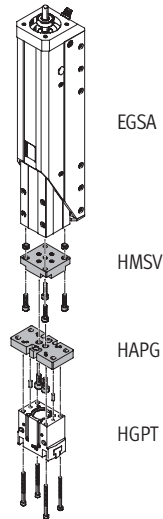
Components subject to moderate corrosion stress. Externally visible parts with primarily decorative surface requirements which are in direct contact with a normal industrial environment or media such as coolants or lubricating agents.

EGSA/HGPT connections

Technical data

Adapter kit HAPG, HMSV

Material:
Wrought aluminium alloy, anodised
Centring pins/sleeves: High-alloy steel
Free of copper, PTFE and silicone

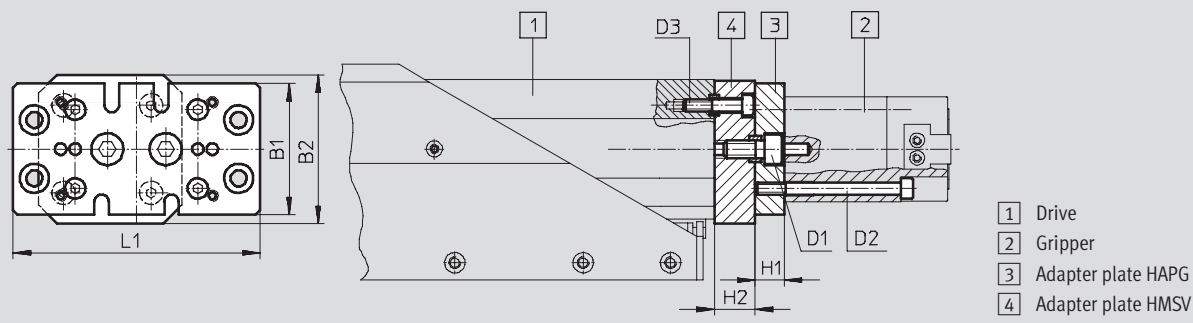


Direct mounting

Dimensions and ordering data

Download CAD data → www.festo.com

Direct mounting



Drive	Gripper	B1	B2	D1	D2	D3	H1	H2	L1
EGSA-50	HGPT-16	33	40	M5	M2.5	M4	10	12	65.6
	HGPT-20				M3				
EGSA-50	HGPT-25	38	40	M5	M4	M4	10	12	65.6
EGSA-60	HGPT-25/35	45	51	M6	M4	M4	10	14	84.6
EGSA-60	HGPT-40	57	51	M6	M5	M4	12	14	103.6

Drive	Gripper	CRC ¹⁾	Part No.	Type	Part No.	Type
EGSA-50	HGPT-16	2	560 017	HMSV-61	537 170	HAPG-76
	HGPT-20					
EGSA-50	HGPT-25		560 017	HMSV-61	537 180	HAPG-83
EGSA-60	HGPT-25/35		560 018	HMSV-62	537 175	HAPG-79
EGSA-60	HGPT-40		560 018	HMSV-62	537 183	HAPG-85

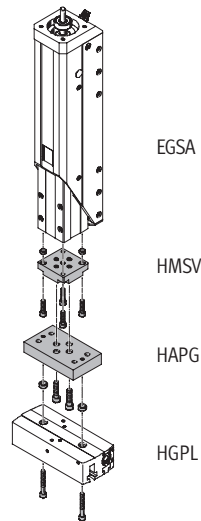
1) Corrosion resistance class 2 as per Festo standard 940 070
Components subject to moderate corrosion stress. Externally visible parts with primarily decorative surface requirements which are in direct contact with a normal industrial environment or media such as coolants or lubricating agents.

EGSA/HGPL connections

Technical data

Adapter kit HAPG, HMSV

Material:
Wrought aluminium alloy, anodised
Centring pins/sleeves: High-alloy steel
Free of copper, PTFE and silicone

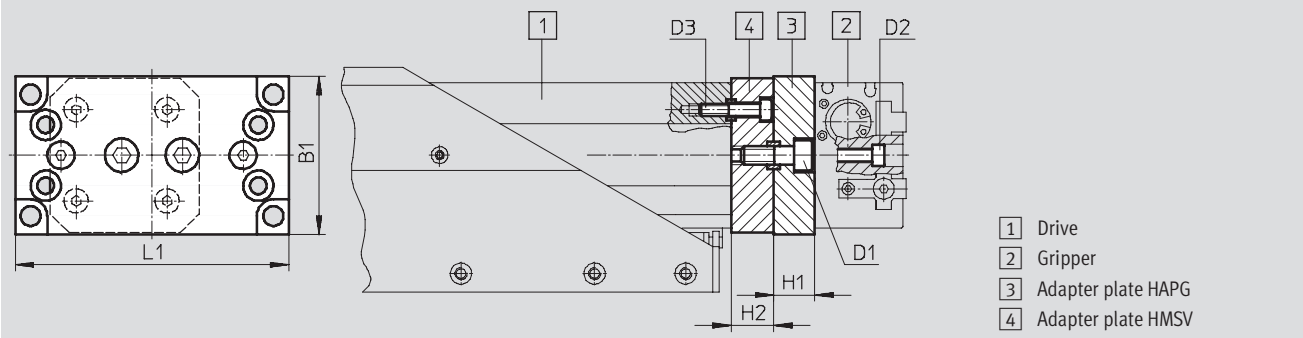


Direct mounting

Dimensions and ordering data

Download CAD data → www.festo.com

Direct mounting



Drive	Gripper	B1	D1	D2	D3	H1	H2	L1
EGSA-50	HGPL-14	44	M5	M4	M4	14	12	75
EGSA-60	HGPL-14	52	M6			13.5	14	90

Drive	Gripper	CRC ¹⁾	Part No.	Type	Part No.	Type
EGSA-50	HGPL-14	2	560 017	HMSV-61	538 055	HAPG-89
EGSA-60	HGPL-14		560 018	HMSV-62	539 274	HAPG-90

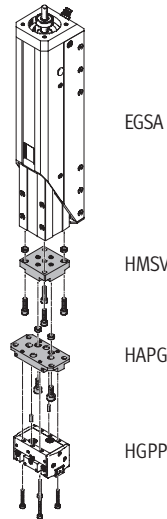
1) Corrosion resistance class 2 as per Festo standard 940 070
Components subject to moderate corrosion stress. Externally visible parts with primarily decorative surface requirements which are in direct contact with a normal industrial environment or media such as coolants or lubricating agents.

EGSA/HGPP connections

Technical data

Adapter kit HAPG, HMSV

Material:
Wrought aluminium alloy, anodised
Centring pins/sleeves: High-alloy steel
Free of copper, PTFE and silicone

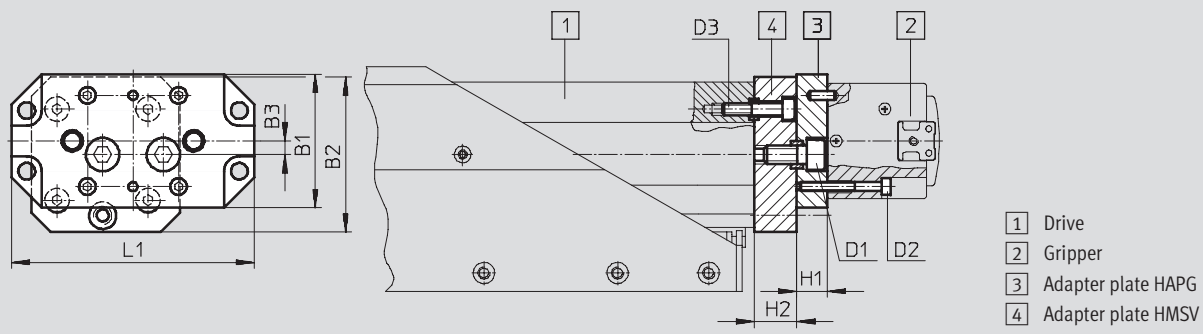


Direct mounting

Dimensions and ordering data

Download CAD data → www.festo.com

Direct mounting



Drive	Gripper	B1	B2	B3	D1	D2	D3	H1	H2	L1
EGSA-50	HGPP-10	33	40	7	M5	M3	M4	8	12	65
EGSA-50	HGPP-12	36								
EGSA-60	HGPP-12	44	51	4.5	M6	M3	M4	10	14	80
EGSA-60	HGPP-16	58		5		M3		12		91
EGSA-60	HGPP-20	58		10		M4		12		91

Drive	Gripper	CRC ¹⁾	Part No.	Type	Part No.	Type
EGSA-50	HGPP-10	2	560 017	HMSV-61	529 018	HAPG-58
EGSA-50	HGPP-12		560 017	HMSV-61	191 266	HAPG-48
EGSA-60	HGPP-12		560 018	HMSV-62	191 267	HAPG-49
EGSA-60	HGPP-16		560 018	HMSV-62	191 269	HAPG-51
EGSA-60	HGPP-20		560 018	HMSV-62	191 270	HAPG-52

1) Corrosion resistance class 2 as per Festo standard 940 070

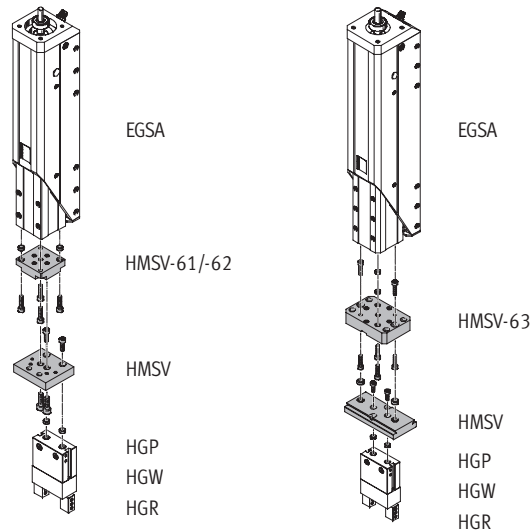
Components subject to moderate corrosion stress. Externally visible parts with primarily decorative surface requirements which are in direct contact with a normal industrial environment or media such as coolants or lubricating agents.

EGSA/HGP, HGW, HGR connections

Technical data

Adapter kit HMSV

Material:
Wrought aluminium alloy, anodised
Centring pins/sleeves: High-alloy steel
Free of copper, PTFE and silicone

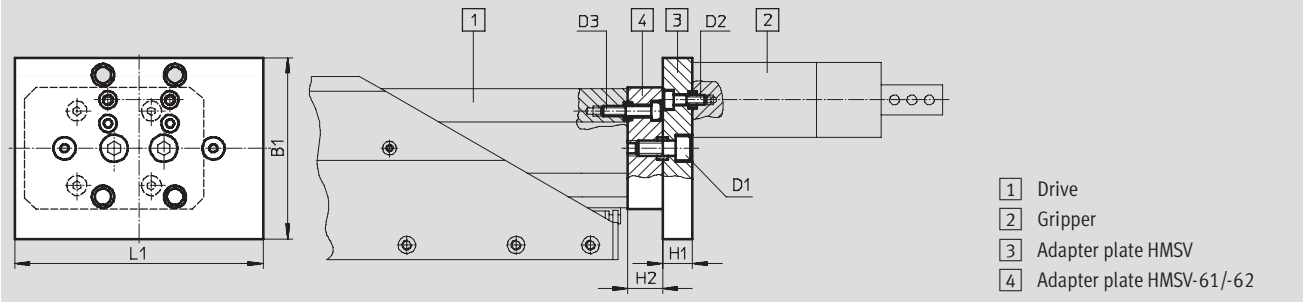


Direct mounting

Dimensions and ordering data

Download CAD data → www.festo.com

Direct mounting



Drive	Gripper	B1	D1	D2	D3	H1	H2	L1	CRC ¹⁾	Part No.	Type	Part No.	Type						
EGSA-50	HGP-16	43.5	M5	M4	M4	10	12	50	2	560 017	HMSV-61	548 785	HMSV-55						
	HGR-16 HGW-16			M3															
EGSA-60	HGP-10	40	M5	M3	M4	12	16	85			2		560 019	HMSV-63	177 666	HMSV-20			
	HGR-16 HGW-16			M4															
EGSA-60	HGP-16	40	M5	M4	M4	12	16	85						2		560 019	HMSV-63	177 761	HMSV-21
EGSA-60	HGP-20	73	M6	M4	M4	12	14	100											
	HGR-25 HGW-25								M6										
EGSA-60	HGP-25	73	M6	M6	M4	12	14	100	2	560 018		HMSV-62					548 786		HMSV-56
	HGR-32 HGW-32										M6								

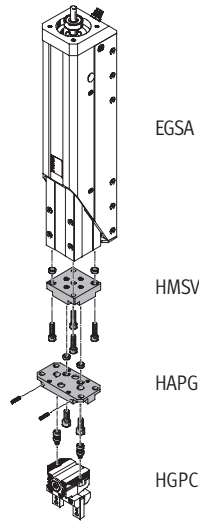
1) Corrosion resistance class 2 as per Festo standard 940 070
Components subject to moderate corrosion stress. Externally visible parts with primarily decorative surface requirements which are in direct contact with a normal industrial environment or media such as coolants or lubricating agents.

EGSA/HGPC connections

Technical data

Adapter kit HAPG, HMSV

Material:
Wrought aluminium alloy, anodised
Centring pins/sleeves: High-alloy steel
Free of copper, PTFE and silicone

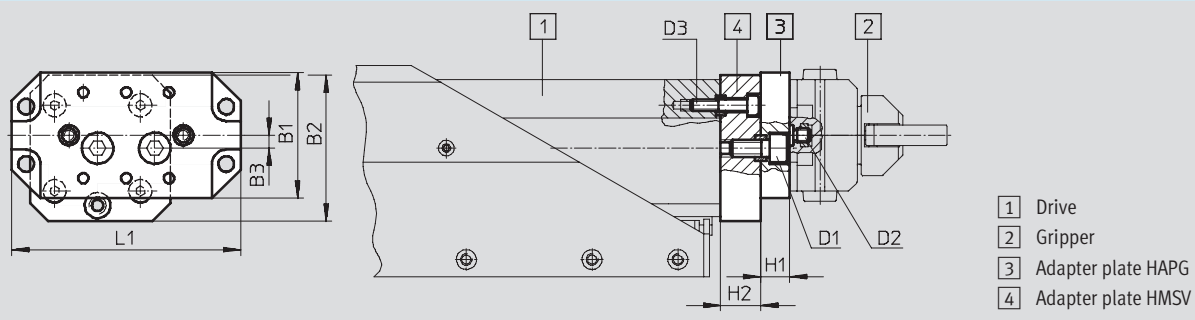


Direct mounting

Dimensions and ordering data

Download CAD data → www.festo.com

Direct mounting



Drive	Gripper	B1	B2	B3	D1	D2	D3	H1	H2	L1
EGSA-50	HGPC-12	33	40	7	M5	M4	M4	9	12	65
EGSA-60	HGPC-16	44	51	4.5	M6	M5	M4	10	14	80
EGSA-60	HGPC-20	58	51	5	M6	M6	M4	12	14	91

Drive	Gripper	CRC ¹⁾	Part No.	Type	Part No.	Type
EGSA-50	HGPC-12	2	560 017	HMSV-61	529 018	HAPG-58
EGSA-60	HGPC-16		560 018	HMSV-62	191 267	HAPG-49
EGSA-60	HGPC-20		560 018	HMSV-62	191 269	HAPG-51

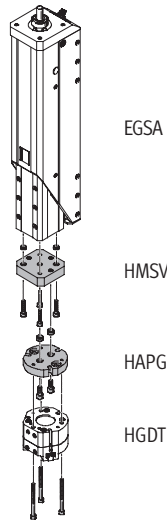
1) Corrosion resistance class 2 as per Festo standard 940 070
Components subject to moderate corrosion stress. Externally visible parts with primarily decorative surface requirements which are in direct contact with a normal industrial environment or media such as coolants or lubricating agents.

EGSA/HGDT connections

Technical data

Adapter kit HAPG, HMSV

Material:
Wrought aluminium alloy, anodised
Centring pins/sleeves: High-alloy steel
Free of copper, PTFE and silicone

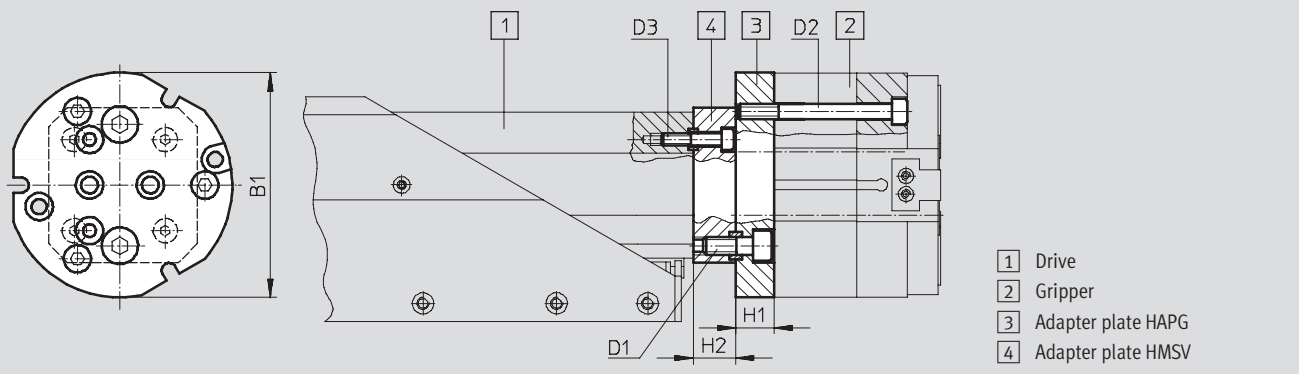


Direct mounting

Dimensions and ordering data

Download CAD data → www.festo.com

Direct mounting



Drive	Gripper	B1	D1	D2	D3	H1	H2
EGSA-50	HGDT-25	48	M5	M3	M4	10	12
EGSA-50	HGDT-35	58	M5	M3	M4	11	12
EGSA-60	HGDT-35	58	M6	M5	M4	11	14
EGSA-60	HGDT-40	74	M6	M5	M4	12.5	14

Drive	Gripper	CRC ¹⁾	Part No.	Type	Part No.	Type
EGSA-50	HGDT-25	2	560 017	HMSV-61	542 439	HAPG-SD2-32
EGSA-50	HGDT-35		560 017	HMSV-61	542 436	HAPG-94
					548 805	ZBV-9-7 ²⁾
EGSA-60	HGDT-35		560 018	HMSV-62	542 436	HAPG-94
EGSA-60	HGDT-40		560 018	HMSV-62	548 806	ZBV-12-9 ²⁾
					542 437	HAPG-95
					548 806	ZBV-12-9 ²⁾

1) Corrosion resistance class 2 as per Festo standard 940 070
Components subject to moderate corrosion stress. Externally visible parts with primarily decorative surface requirements which are in direct contact with a normal industrial environment or media such as coolants or lubricating agents.

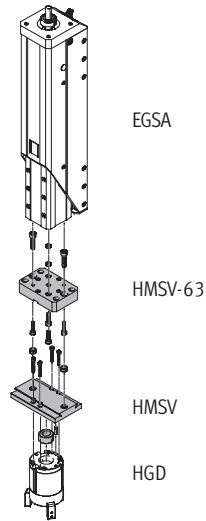
2) Connecting sleeve for centring the adapter kit HAPG on the spindle driven cantilever axis EGSA.

EGSA/HGD connections

Technical data

Adapter kit HMSV

Material:
Wrought aluminium alloy, anodised
Centring pins/sleeves: High-alloy steel
Free of copper, PTFE and silicone

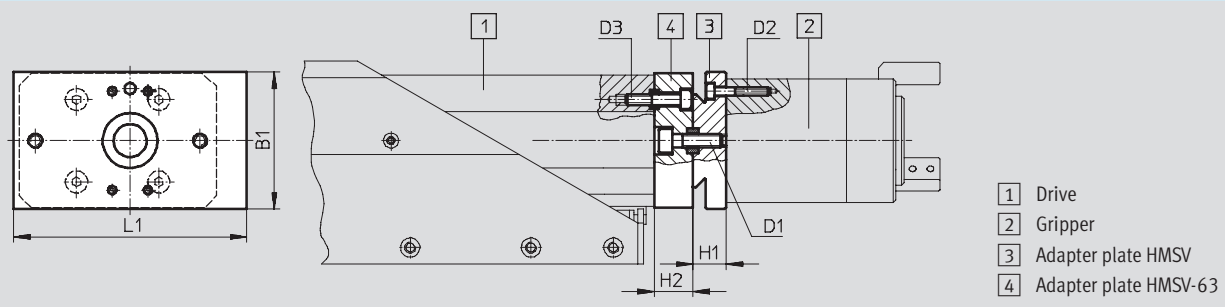


Direct mounting

Dimensions and ordering data

Download CAD data → www.festo.com

Direct mounting



Drive	Gripper	B1	D1	D2	D3	H1	H2	L1
EGSA-60	HGD-32	50	M5	M3	M4	12	16	85

Drive	Gripper	CRC ¹⁾	Part No.	Type	Part No.	Type
EGSA-60	HGD-32	2	560 019	HMSV-63	177 765	HMSV-25

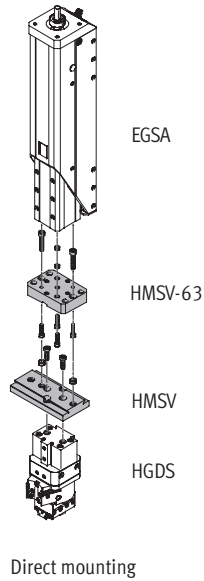
1) Corrosion resistance class 2 as per Festo standard 940 070
Components subject to moderate corrosion stress. Externally visible parts with primarily decorative surface requirements which are in direct contact with a normal industrial environment or media such as coolants or lubricating agents.

EGSA/HGDS connections

Technical data

Adapter kit HMSV

Material:
Wrought aluminium alloy, anodised
Centring sleeves: High-alloy steel
Free of copper, PTFE and silicone

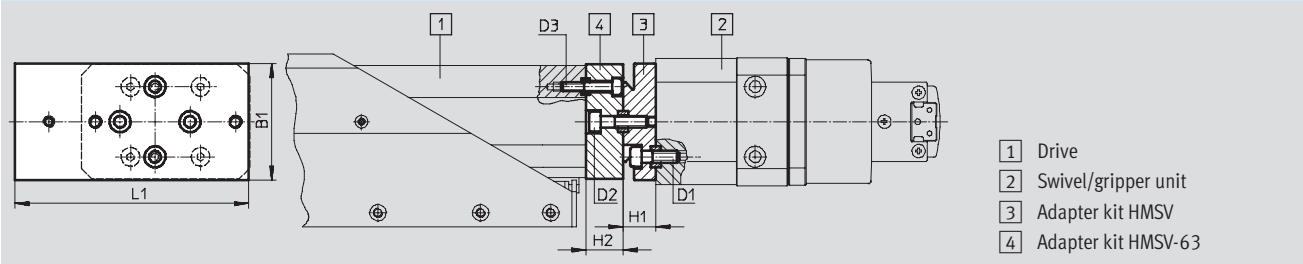


Direct mounting

Dimensions and ordering data

Download CAD data → www.festo.com

Direct mounting



- 1 Drive
- 2 Swivel/gripper unit
- 3 Adapter kit HMSV
- 4 Adapter kit HMSV-63

Drive	Gripper	B1	D1	D2	D3	H1	H2	L1
EGSA-60	HGDS-16 HGDS-20	50	M5	M5	M4	14	16	100

Drive	Gripper	CRC ¹⁾	Part No.	Type	Part No.	Type
EGSA-60	HGDS-16 HGDS-20	2	560 019	HMSV-63	534 290	HMSV-38

1) Corrosion resistance class 2 as per Festo standard 940 070
Components subject to moderate corrosion stress. Externally visible parts with primarily decorative surface requirements which are in direct contact with a normal industrial environment or media such as coolants or lubricating agents.

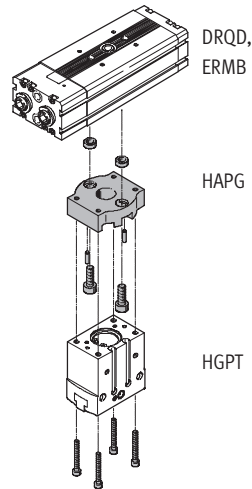
DRQD, ERMB/HGPT connections

Technical data

Adapter kit HAPG

Material:

Wrought aluminium alloy, anodised
Centring pins/sleeves: High-alloy steel
Free of copper, PTFE and silicone



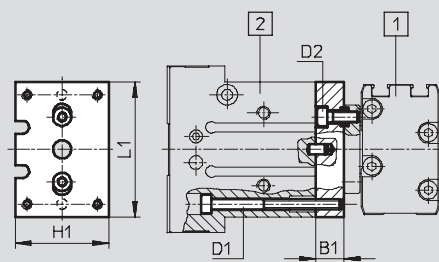
Direct mounting
DRQD-...-FW on flanged shaft
ERMB-... on drive shaft

Dimensions and ordering data

Download CAD data → www.festo.com

Direct mounting with DRQD on flanged shaft and flanged shaft with energy through-feed

Direct mounting with ERMB on drive shaft



1 Drive
2 Gripper

Drive	Gripper	B1	D1	D2	H1	L1	CRC ¹⁾	Part No.	Type
Flanged shaft with energy through-feed SD...									
DRQD-12	HGPT-16	11	M2	M3	35.5	34	2	537 171	HAPG-SD2-22
DRQD-B-16				M4					
DRQD-12	HGPT-20	11	M3	M3	44	34		537 177	HAPG-SD2-24
DRQD-B-16				M4					
DRQD-B-16/-20	HGPT-25	11	M4	M4	36	52		537 181	HAPG-SD2-25
ERMB-20									
DRQD-B-20	HGPT-35	12	M4	M4	42	64		537 173	HAPG-SD2-23
ERMB-20									
DRQD-B-25				M6					
ERMB-25									
DRQD-B-25/-32	HGPT-40	15	M5	M6	50	80	537 184	HAPG-SD2-26	
ERMB-25/-32									
DRQD-B-32	HGPT-50	15	M6	M8	85.5	100	537 186	HAPG-SD2-27	
ERMB-32									
DRQD-40				M6					
DRQD-40/-50	M8	83	125		537 188	HAPG-SD2-28			

1) Corrosion resistance class 2 as per Festo standard 940 070

Components subject to moderate corrosion stress. Externally visible parts with primarily decorative surface requirements which are in direct contact with a normal industrial environment or media such as coolants or lubricating agents.

DRQD, ERMB/HGPT connections

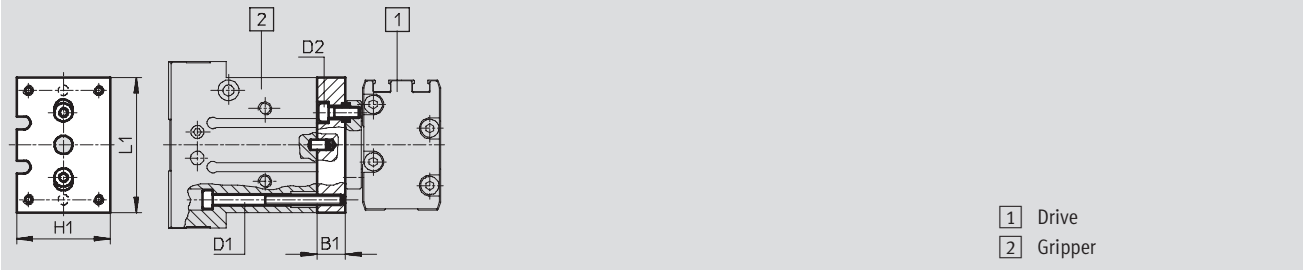
Technical data

FESTO

Dimensions and ordering data

Download CAD data → www.festo.com

Direct mounting on flanged shaft and flanged shaft with energy through-feed



1 Drive
2 Gripper

Drive	Gripper	B1	D1	D2	H1	L1	CRC ¹⁾	Part No.	Type		
Flanged shaft with energy through-feed E...											
DRQD-B-16	HGPT-16	8	M2.5	M4	35	44	2	544 641	HAPG-SD2-47		
	HGPT-20		M3								
DRQD-B-16	HGPT-25	9	M4	M4	42	64				544 642	HAPG-SD2-48
DRQD-B-20	HGPT-25/-35	9	M4	M4	42	64				544 642	HAPG-SD2-48
DRQD-B-25	HGPT-35	12	M4	M4	42	64				537 173	HAPG-SD2-23
DRQD-B-25/-32	HGPT-40	15	M5	M6	50	80				537 184	HAPG-SD2-26
DRQD-B-32	HGPT-50	11	M6	M6	60	100	544 643	HAPG-SD2-49			

1) Corrosion resistance class 2 as per Festo standard 940 070
Components subject to moderate corrosion stress. Externally visible parts with primarily decorative surface requirements which are in direct contact with a normal industrial environment or media such as coolants or lubricating agents.

DRQD, ERMB/HGPL connections

Technical data

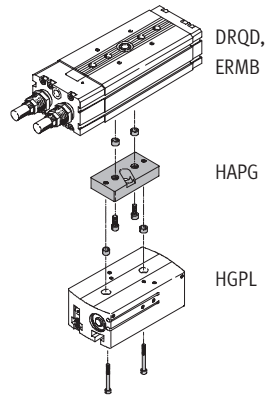
Adapter kit HAPG

Material:

Wrought aluminium alloy, anodised

Centring sleeves: High-alloy steel

Free of copper, PTFE and silicone



Direct mounting

DRQD-...-FW on flanged shaft

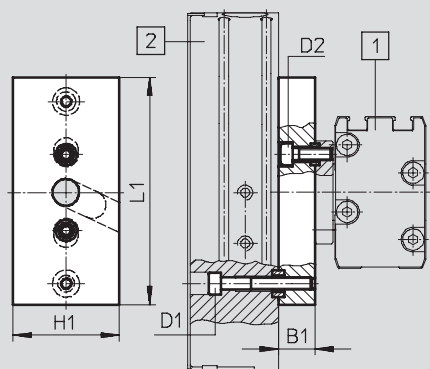
ERMB-... on drive shaft

Dimensions and ordering data

Download CAD data → www.festo.com

Direct mounting with DRQD on flanged shaft and flanged shaft with energy through-feed

Direct mounting with ERMB on drive shaft



-  - Note

Only in combination with semi-rotary drive DRQD-...-YSRJ (with adjustable shock absorbers)

- 1 Drive
- 2 Gripper

DRQD, ERMB/HGPL connections

Technical data

Drive	Gripper	B1	D1	D2	H1	L1	CRC ¹⁾	Part No.	Type
Flanged shaft with energy through-feed SD...									
DRQD-B-16	HGPL-14	12	M4	M4	35	75	2	537 310	HAPG-SD2-31
DRQD-B-20 ERMB-20									
DRQD-B-25/-32 ERMB-25/-32	HGPL-25	14	M5	M6	60	75		537 311	HAPG-SD2-29
DRQD-40 DRQD-50	HGPL-40	20	M8	M8	60	120	2	537 312	HAPG-SD2-30
Flanged shaft with energy through-feed E...									
DRQD-B-16	HGPL-14	9	M4	M4	35	75	2	544 644	HAPG-SD2-45
DRQD-B-20									
DRQD-B-25 DRQD-B-32	HGPL-25	11	M5	M6	60	75		544 645	HAPG-SD2-46

1) Corrosion resistance class 2 as per Festo standard 940 070

Components subject to moderate corrosion stress. Externally visible parts with primarily decorative surface requirements which are in direct contact with a normal industrial environment or media such as coolants or lubricating agents.

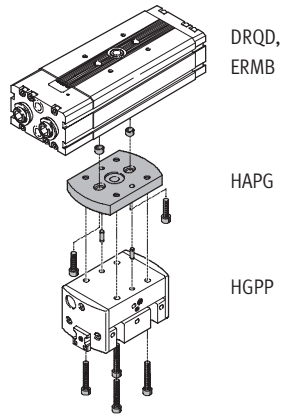
DRQD, ERMB/HGPP connections

Technical data

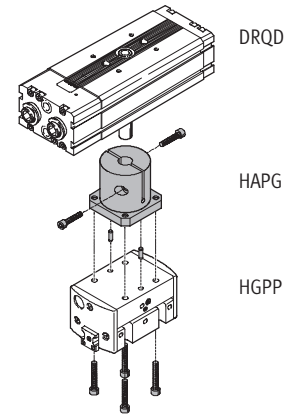


Adapter kit HAPG

Material:
Wrought aluminium alloy, anodised
Centring pins/sleeves: High-alloy steel
Free of copper, PTFE and silicone



Direct mounting
DRQD-...-FW on flanged shaft
ERMB-... on drive shaft



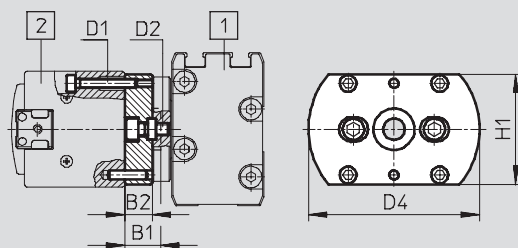
Direct mounting
DRQD-...-ZW on spigot shaft

Dimensions and ordering data

Download CAD data → www.festo.com

Direct mounting with DRQD on flanged shaft and flanged shaft with energy through-feed SD.../E...

Direct mounting with ERMB on drive shaft



1 Drive
2 Gripper

Drive	Gripper	B1	B2	D1	D2	D4	H1	CRC ¹⁾	Part No.	Type
DRQD-B-16-FW DRQD-B-20-FW ERMB-20	HGPP-12	11.8	9	M3	M4	56	36	2	191 255	HAPG-SD2-14
DRQD-B-20-FW ERMB-20	HGPP-16	11.8	9	M3	M4	80	40		191 256	HAPG-SD2-15
DRQD-B-25-FW ERMB-25					M6					
DRQD-B-25-FW DRQD-B-32-FW ERMB-25/-32	HGPP-20	11.8	9	M4	M6	90	46		191 257	HAPG-SD2-16
DRQD-B-16-FW DRQD-B-20-FW ERMB-20	HGPP-10	11.8	9	M3	M4	43	31		526 023	HAPG-SD2-17
DRQD-B-32-FW ERMB-32	HGPP-25	17.8	15	M5	M6	120	53		526 024	HAPG-SD2-18
DRQD-40-FW DRQD-50-FW					M8					
DRQD-40-FW DRQD-50-FW	HGPP-32	18.8	15	M5	M8	153	60		526 025	HAPG-SD2-19

1) Corrosion resistance class 2 as per Festo standard 940 070

Components subject to moderate corrosion stress. Externally visible parts with primarily decorative surface requirements which are in direct contact with a normal industrial environment or media such as coolants or lubricating agents.

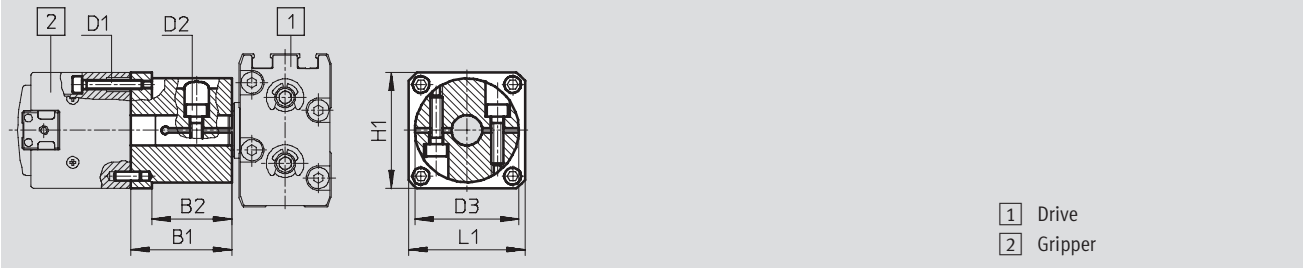
DRQD, ERMB/HGPP connections

Technical data

Dimensions and ordering data

Download CAD data → www.festo.com

Direct mounting on spigot shaft



Drive	Gripper	B1	B2	D1	D2	D3 ∅	H1	L1	CRC ¹⁾	Part No.	Type
DRQD-B-16-ZW	HGPP-12	33	26	M3	M4	34	38	38	2	191 258	HAPG-40
DRQD-B-20-ZW	HGPP-12	41	34	M3	M5	38	38	38		191 259	HAPG-41
DRQD-B-25-ZW	HGPP-16	49	42	M3	M5	42	42	50		191 260	HAPG-42
DRQD-B-32-ZW	HGPP-20	52	42	M4	M5	45	48	48		191 261	HAPG-43

1) Corrosion resistance class 2 as per Festo standard 940 070
 Components subject to moderate corrosion stress. Externally visible parts with primarily decorative surface requirements which are in direct contact with a normal industrial environment or media such as coolants or lubricating agents.

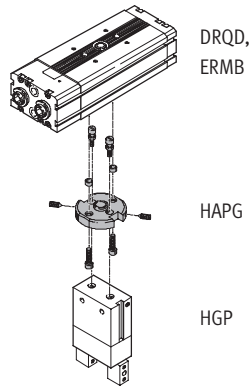
DRQD, ERMB/HGP, HGD, HGW, HGR connections

Technical data

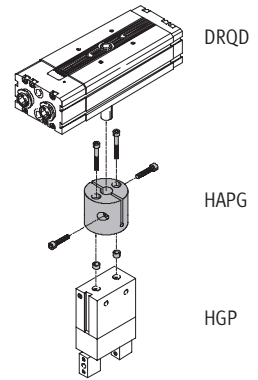
Adapter kit DRQD-...-AS, HAPG

Material:

Wrought aluminium alloy, anodised
Centring pins/sleeves: High-alloy steel
Free of copper, PTFE and silicone



Direct mounting
DRQD-...-FW on flanged shaft
ERMB-... on drive shaft

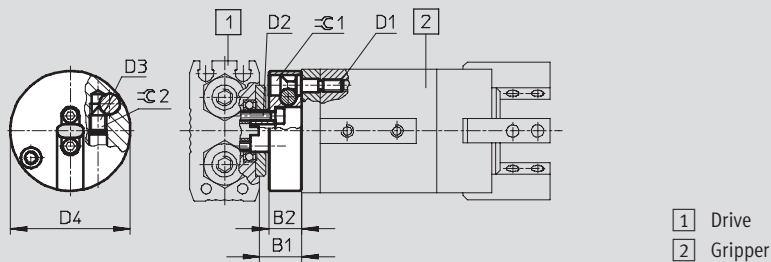


Direct mounting
DRQD-...-ZW on spigot shaft

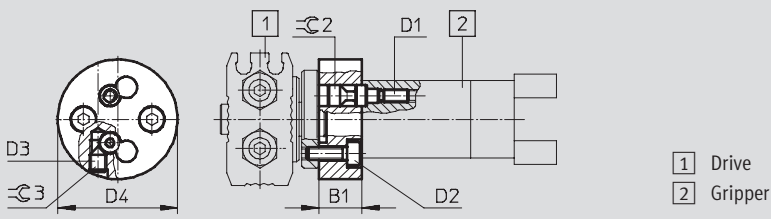
Dimensions and ordering data

Download CAD data → www.festo.com

Direct mounting on flanged shaft and flanged shaft with energy through-feed SD...
DRQD-...-AS1/-AS2



HAPG-34/-35



DRQD, ERMB/HGP, HGD, HGW, HGR connections

Technical data

Drive	Gripper	B1	B2	D1	D2	D3	D4	E1	L1
Flanged shaft									
DRQD-6-...-FW	HGP-6								
DRQD-8-...-FW	HGR-10	10	-	M3	M3	M4	28	-	-
DRQD-12-...-FW	HGW-10								
DRQD-8-...-FW	HGD-16	8	-	M3	M3	M4	29	-	-
DRQD-12-...-FW									
Flanged shaft and flanged shaft with energy through-feed SD...									
DRQD-8	HGP-6								
DRQD-12	HGR-10	10.2	8	M3	M2	M4	28	-	-
	HGW-10								
DRQD-8	HGD-16	10.2	8	M3	M2	M4	29	-	-
DRQD-12									

Drive	Gripper	≈C1	≈C2	≈C3	CRC ¹⁾	Part No.	Type
Flanged shaft							
DRQD-6-...-FW	HGP-6					187 568	HAPG-34
DRQD-8-...-FW	HGR-10	2.5	2.5	2	2		
DRQD-12-...-FW	HGW-10						
DRQD-8-...-FW	HGD-16	2.5	2.5	2		187 569	HAPG-35
DRQD-12-...-FW							
Flanged shaft and flanged shaft with energy through-feed SD...							
DRQD-8	HGP-6					187 432	DRQD-8-...-AS1 ²⁾
DRQD-12	HGR-10	2.5	2	-	2	187 433	DRQD-12-...-AS1 ²⁾
	HGW-10						
DRQD-8	HGD-16	2.5	2	-		187 432	DRQD-8-...-AS2 ²⁾
DRQD-12						187 433	DRQD-12-...-AS2 ²⁾

- 1) Corrosion resistance class 2 as per Festo standard 940 070
 Components subject to moderate corrosion stress. Externally visible parts with primarily decorative surface requirements which are in direct contact with a normal industrial environment or media such as coolants or lubricating agents.
- 2) Semi-rotary drives DRQD are ordered using the modular product system with the corresponding adapter kit (code AS).

DRQD, ERMB/HGP, HGD, HGW, HGR connections

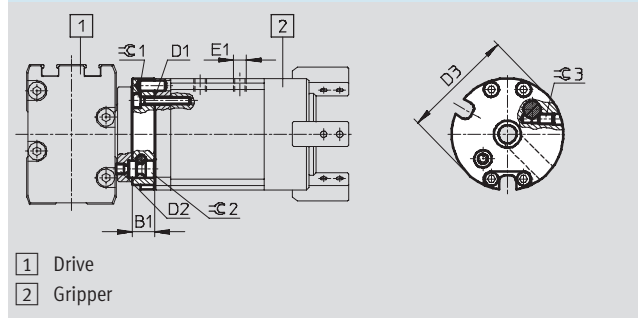
Technical data

Dimensions and ordering data Download CAD data → www.festo.com

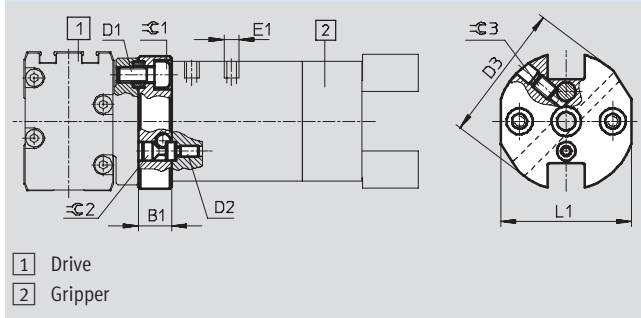
Direct mounting with DRQD on flanged shaft with energy through-feed SD...

Direct mounting with ERMB on drive shaft

HAPG-SD2-5/-8/-11/-13/-20



HAPG-SD2-1/-2/-3/-4/-6/-7/-9/-10/-12/-21



Drive	Gripper	B1	B2	D1	D2	D3	D4	E1	L1
DRQD-B-16-...-FW	HGP-6 HGR-10 HGW-10	9	-	M4	M3	34	-	M3	-
DRQD-B-16-...-FW	HGD-16	9	-	M3	M4	34	-	M3	-
DRQD-B-16-...-FW	HGP-10 HGR-16 HGW-16	9	-	M4	M3	37	-	M3	35
DRQD-B-16-...-FW	HGP-16	9	-	M4	M4	42	-	M3	35
	HGR-25 HGW-25							M5	
DRQD-B-20-...-FW ERMB-20	HGP-16	9	-	M4	M4	42	-	M3	38
	HGP-20 HGR-25 HGW-25							M5	
DRQD-B-20-...-FW ERMB-20	HGP-25 HGR-32 HGW-32	9	-	M4	M6	44	-	G $\frac{1}{8}$	38
DRQD-B-20-...-FW ERMB-20	HGD-32	9	-	M3	M4	45	-	M5	-
DRQD-B-25-...-FW ERMB-25	HGP-16	9	-	M6	M4	50	-	M3	47
	HGP-20 HGR-25 HGW-25							M5	
DRQD-B-25-...-FW ERMB-25	HGP-25 HGR-32 HGW-32	9	-	M6	M6	50	-	G $\frac{1}{8}$	47
DRQD-B-25-...-FW ERMB-25	HGD-50	9	-	M5	M6	70	-	G $\frac{1}{8}$	-
DRQD-B-32-...-FW ERMB-32	HGP-25 HGR-32 HGW-32	9	-	M6	M6	60	-	G $\frac{1}{8}$	58
DRQD-B-32-...-FW ERMB-32	HGP-35 HGR-40 HGW-40	9	-	M6	M8	60	-	G $\frac{1}{8}$	58
DRQD-B-32-...-FW ERMB-32	HGD-50	9	-	M5	M6	70	-	G $\frac{1}{8}$	-
DRQD-40-...-FW DRQD-50-...-FW	HGD-50	15	-	M5	M8	90	-	G $\frac{1}{8}$	-
DRQD-40-...-FW DRQD-50-...-FW	HGP-35 HGR-40 HGW-40	12	-	M8	M8	80	-	G $\frac{1}{8}$	-

DRQD, ERMB/HGP, HGD, HGW, HGR connections

Technical data

Drive	Gripper	≈C1	≈C2	≈C3	CRC ¹⁾	Part No.	Type
DRQD-B-16-...-FW	HGP-6 HGR-10 HGW-10	3	2.5			187 566	HAPG-SD2-12
DRQD-B-16-...-FW	HGD-16	2.5	3			187 567	HAPG-SD2-13
DRQD-B-16-...-FW	HGP-10 HGR-16 HGW-16	3	2.5			184 477	HAPG-SD2-1
DRQD-B-16-...-FW	HGP-16 HGR-25 HGW-25	3	3			184 478	HAPG-SD2-2
DRQD-B-20-...-FW ERMB-20	HGP-16 HGP-20 HGR-25 HGW-25	3	3			184 479	HAPG-SD2-3
DRQD-B-20-...-FW ERMB-20	HGP-25 HGR-32 HGW-32	3	5			184 480	HAPG-SD2-4
DRQD-B-20-...-FW ERMB-20	HGD-32	2.5	3			184 481	HAPG-SD2-5
DRQD-B-25-...-FW ERMB-25	HGP-16 HGP-20 HGR-25 HGW-25	5	3	2	2	184 482	HAPG-SD2-6
DRQD-B-25-...-FW ERMB-25	HGP-25 HGR-32 HGW-32	5	5			184 483	HAPG-SD2-7
DRQD-B-25-...-FW ERMB-25	HGD-50	4	5			184 484	HAPG-SD2-8
DRQD-B-32-...-FW ERMB-32	HGP-25 HGR-32 HGW-32	5	5			184 485	HAPG-SD2-9
DRQD-B-32-...-FW ERMB-32	HGP-35 HGR-40 HGW-40	5	6			184 486	HAPG-SD2-10
DRQD-B-32-...-FW ERMB-32	HGD-50	4	5			184 487	HAPG-SD2-11
DRQD-40-...-FW DRQD-50-...-FW	HGD-50	6	6			526 026	HAPG-SD2-20
DRQD-40-...-FW DRQD-50-...-FW	HGP-35 HGR-40 HGW-40	6	6			526 027	HAPG-SD2-21

1) Corrosion resistance class 2 as per Festo standard 940 070
 Components subject to moderate corrosion stress. Externally visible parts with primarily decorative surface requirements which are in direct contact with a normal industrial environment or media such as coolants or lubricating agents.

DRQD, ERMB/HGP, HGD, HGW, HGR connections

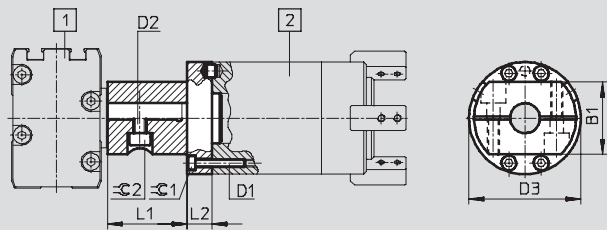
Technical data

Dimensions and ordering data

Download CAD data → www.festo.com

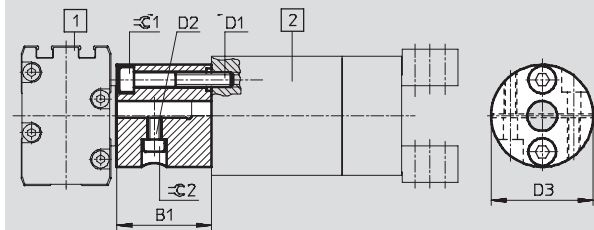
Direct mounting on spigot shaft

HAPG-23/-24



- 1 Drive
- 2 Gripper

HAPG-18/-19/-20/-21/-22



- 1 Drive
- 2 Gripper

Drive	Gripper	B1	D1	D2	D3	L1	L2	∅1	∅2	CRC ¹⁾	Part No.	Type
DRQD-B-16-....ZW	HGP-10 HGR-16 HGW-16	28	M3	M4	33	-	-	2.5	3		163 267	HAPG-18
DRQD-B-16-....ZW	HGP-16/-20 HGR-25 HGW-25	28	M4	M4	34	-	-	3	3		163 268	HAPG-19
DRQD-B-20-....ZW	HGP-16/-20 HGR-25 HGW-25	38	M4	M5	41	-	-	3	4		163 269	HAPG-20
DRQD-B-20-....ZW	HGP-25 HGR-32 HGW-32	38	M6	M5	41	-	-	5	4	2	163 270	HAPG-21
DRQD-B-20-....ZW	HGD-32	29	M3	M5	45	32	10	2.5	4		163 272	HAPG-23
DRQD-B-25-....ZW	HGP-25 HGR-32 HGW-32	46	M6	M5	41	-	-	5	4		163 271	HAPG-22
DRQD-B-25-....ZW	HGD-50	29	M5	M5	70	42	12	4	4		163 273	HAPG-24

1) Corrosion resistance class 2 as per Festo standard 940 070

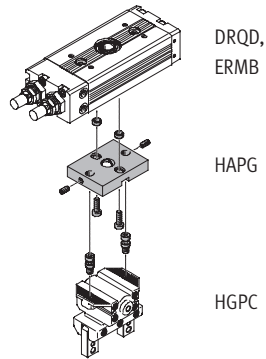
Components subject to moderate corrosion stress. Externally visible parts with primarily decorative surface requirements which are in direct contact with a normal industrial environment or media such as coolants or lubricating agents.

DRQD, ERMB/HGPC connections

Technical data

Adapter kit HAPG

Material:
Wrought aluminium alloy, anodised
Centring sleeves: High-alloy steel
Free of copper, PTFE and silicone

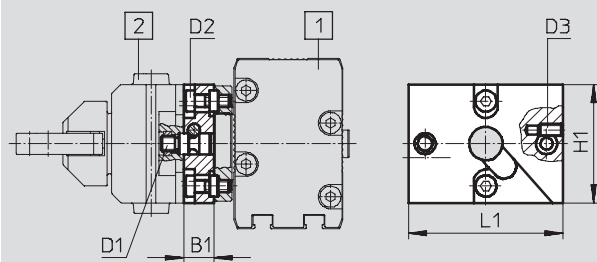


Direct mounting
DRQD-...-FW on flanged shaft
ERMB-... on drive shaft

Dimensions and ordering data

Download CAD data → www.festo.com

Direct mounting with DRQD on flanged shaft and flanged shaft with energy through-feed
Direct mounting with ERMB on drive shaft



1 Drive
2 Gripper

Drive	Gripper	B1	D1	D2	D3	H1	L1	CRC ¹⁾	Part No.	Type
Flanged shaft with energy through-feed SD...										
DRQD-12	HGPC-12	10	M4	M4	M4	32.6	42	2	542 671	HAPG-SD2-41
DRQD-B-16										
DRQD-B-16	HGPC-16	10	M5	M4	M4	39	51		542 668	HAPG-SD2-42
DRQD-B-20										
ERMB-20	HGPC-20	9	M6	M4	M4	50	65		542 669	HAPG-SD2-43
DRQD-B-20										
DRQD-B-25	HGPC-20	9	M6	M6	M4	50	65	542 758	HAPG-SD2-44	
ERMB-25										

1) Corrosion resistance class 2 as per Festo standard 940 070
Components subject to moderate corrosion stress. Externally visible parts with primarily decorative surface requirements which are in direct contact with a normal industrial environment or media such as coolants or lubricating agents.

DRQD/HGPM, HGWM connections

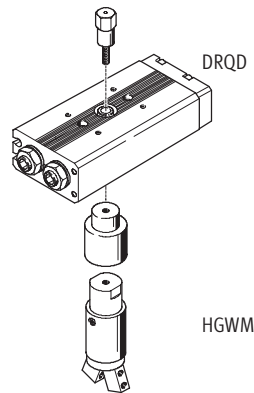
Technical data

Adapter kit DRQD-...-A...-HS

Material:

Galvanised steel

Free of copper, PTFE and silicone

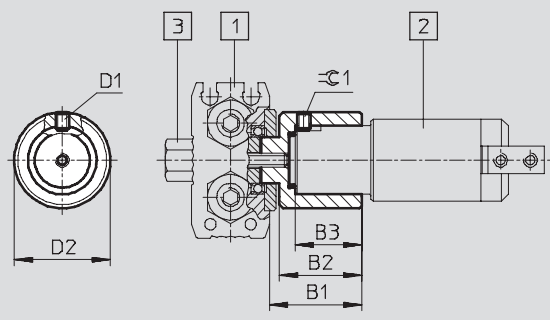


Direct mounting
via hollow bolt

Dimensions and ordering data

Download CAD data → www.festo.com

Direct mounting via hollow bolt



- 1 Drive
- 2 Gripper
- 3 Hollow bolt

Drive	Gripper	B1	B2	B3	D1	D2	±0.1	CRC ¹⁾	Part No.	Type
DRQD-6	HGPM-08-...-G8	15.2	13	9.6	M3	16	1.5	2	187 431	DRQD-6-...-A08-HS ²⁾
DRQD-8	HGWM-08-...-G8								187 432	DRQD-8-...-A08-HS ²⁾
DRQD-12									187 433	DRQD-12-...-A08-HS ²⁾
DRQD-6	HGPM-12-...-G8	20.2	18	14.6	M3	21	1.5		187 431	DRQD-6-...-A12-HS ²⁾
DRQD-8	HGWM-12-...-G8								187 432	DRQD-8-...-A12-HS ²⁾
DRQD-12									187 433	DRQD-12-...-A12-HS ²⁾

1) Corrosion resistance class 2 as per Festo standard 940 070

Components subject to moderate corrosion stress. Externally visible parts with primarily decorative surface requirements which are in direct contact with a normal industrial environment or media such as coolants or lubricating agents.

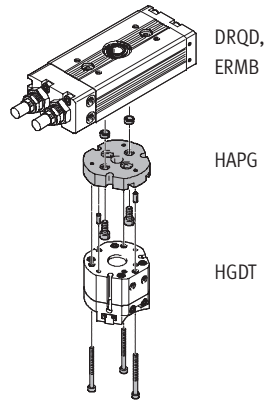
2) Semi-rotary drives DRQD are ordered using the modular product system with the corresponding adapter kit (code A...) and hollow bolt (code HS).

DRQD, ERMB/HGDT connections

Technical data

Adapter kit HAPG

Material:
Wrought aluminium alloy, anodised
Centring pins/sleeves: High-alloy steel
Free of copper, PTFE and silicone

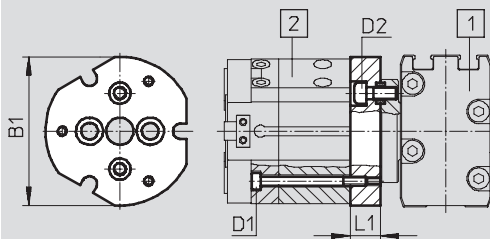


Direct mounting
DRQD-...-FW on flanged shaft
ERMB-... on drive shaft

Dimensions and ordering data

Download CAD data → www.festo.com

Direct mounting with DRQD on flanged shaft and flanged shaft with energy through-feed
Direct mounting with ERMB on drive shaft



1 Drive
2 Gripper

Drive	Gripper	B1	D1	D2	L1	CRC ¹⁾	Part No.	Type	
Flanged shaft with energy through-feed SD... and E...									
DRQD-B-16	HGDT-25	49	M3	M4	10	2	542 439	HAPG-SD2-32	
DRQD-B-20 ERMB-20	HGDT-25	49	M3	M4	10		542 440	HAPG-SD2-33	
DRQD-B-25 ERMB-25				M6					
DRQD-B-20 ERMB-20	HGDT-35	58	M3	M4	10			542 441	HAPG-SD2-34
DRQD-B-25 ERMB-25				M6					
DRQD-B-32 ERMB-32				M6					
DRQD-B-25 DRQD-B-32 ERMB-32	HGDT-40	74	M5	M6	10			542 442	HAPG-SD2-35
DRQD-B-32 ERMB-32	HGDT-50	92	M6	M5	11.5			542 443	HAPG-SD2-36

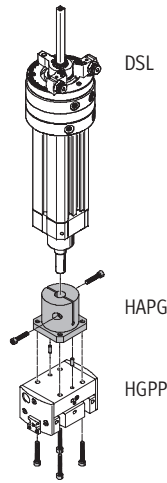
1) Corrosion resistance class 2 as per Festo standard 940 070
Components subject to moderate corrosion stress. Externally visible parts with primarily decorative surface requirements which are in direct contact with a normal industrial environment or media such as coolants or lubricating agents.

DSL, DSM/HGPP connections

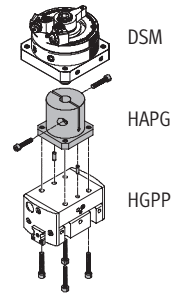
Technical data

Adapter kit HAPG

Material:
Wrought aluminium alloy, anodised
Centring pins/sleeves: High-alloy steel
Free of copper, PTFE and silicone



Direct mounting
DSL-...-KF with spigot shaft

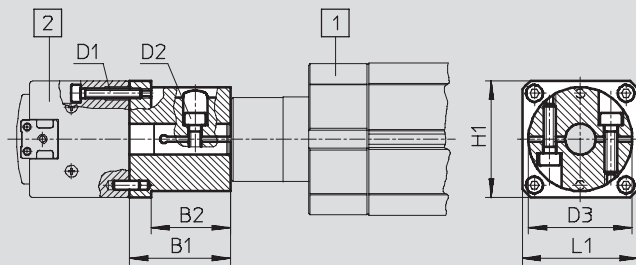


Direct mounting
DSM with spigot shaft

Dimensions and ordering data

Download CAD data → www.festo.com

Direct mounting via spigot shaft



1 Drive
2 Gripper

Drive	Gripper	B1	B2	D1	D2	D3 Ø	H1	L1	CRC ¹⁾	Part No.	Type
DSL-20-KF DSM-16	HGPP-12	33	26	M3	M4	3	38	38	2	191 258	HAPG-40
DSL-25-KF DSM-25	HGPP-12	41	34	M3	M5	38	38	38		191 259	HAPG-41
DSL-32-KF DSM-32	HGPP-16	49	42	M3	M5	42	42	50		191 260	HAPG-42
DSL-40-KF DSM-40	HGPP-20	52	42	M4	M5	45	48	48		191 261	HAPG-43

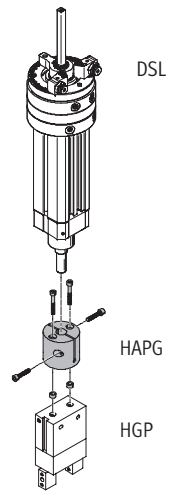
1) Corrosion resistance class 2 as per Festo standard 940 070
Components subject to moderate corrosion stress. Externally visible parts with primarily decorative surface requirements which are in direct contact with a normal industrial environment or media such as coolants or lubricating agents.

DSL, DSM/HGP, HGD, HGW, HGR connections

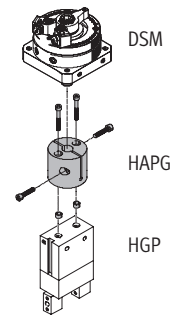
Technical data

Adapter kit HAPG

Material:
Wrought aluminium alloy, anodised
Centring sleeves: High-alloy steel
Free of copper, PTFE and silicone



Direct mounting
DSL with spigot shaft



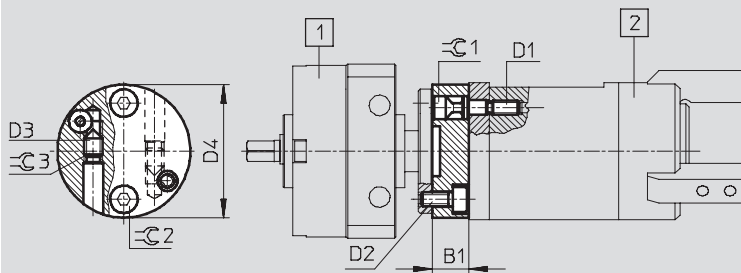
Direct mounting
DSM with spigot shaft

Dimensions and ordering data

Download CAD data → www.festo.com

Direct mounting via flanged shaft

HAPG-34/-35 for parallel gripper HGP, three-point gripper HGD, radial gripper HGR, angle gripper HGW



1 Drive
2 Gripper

Drive	Gripper	B1	D1	D2	D3	D4	L1	L2
DSM-6/-8/-10	HGP-6 HGR-10 HGW-10	10	M3	M3	M4	28	-	-
DSM-8/-10	HGD-16	8	M3	M3	M4	29	-	-

Drive	Gripper	⌀1	⌀2	⌀3	CRC ¹⁾	Part No.	Type
DSM-6/-8/-10	HGP-6 HGR-10 HGW-10	2.5	2.5	2	2	187 568	HAPG-34
DSM-8/-10	HGD-16	2.5	2.5	2		187 569	HAPG-35

1) Corrosion resistance class 2 as per Festo standard 940 070

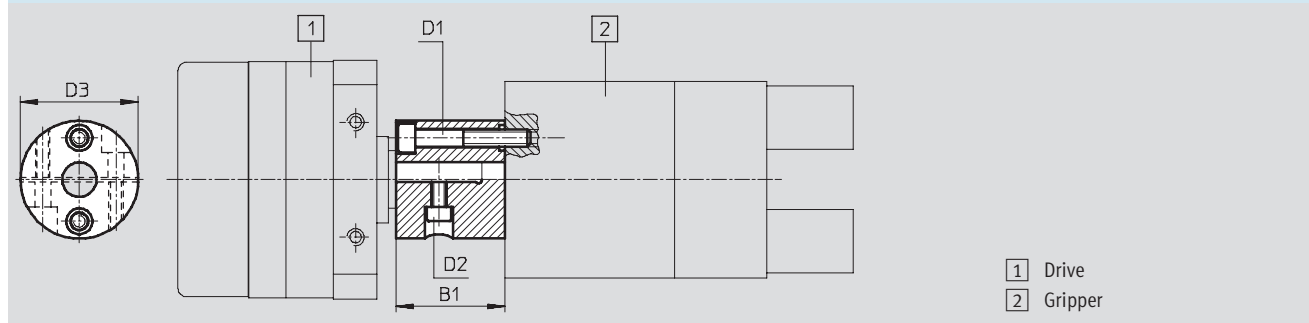
Components subject to moderate corrosion stress. Externally visible parts with primarily decorative surface requirements which are in direct contact with a normal industrial environment or media such as coolants or lubricating agents.

DSL, DSM/HGD, HGP, HGW, HGR connections

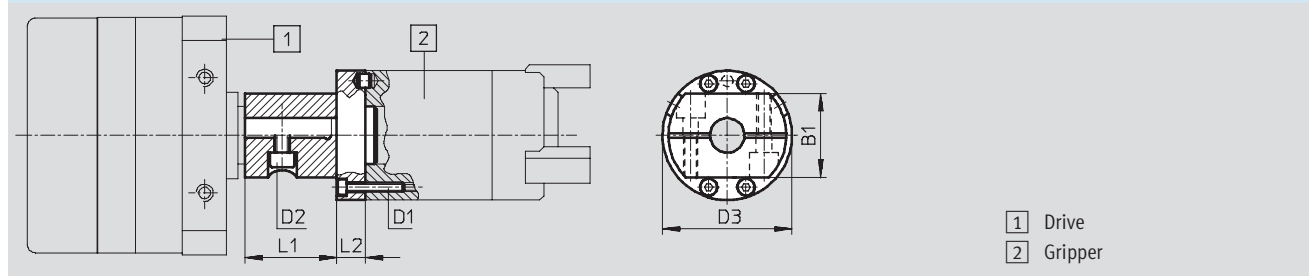
Technical data

Dimensions and ordering data Download CAD data → www.festo.com

Direct mounting via spigot shaft
 HAPG-17 ... 22 for parallel gripper HGP, radial gripper HGR, angle gripper HGW



Direct mounting via spigot shaft
 HAPG-23/-24 for three-point gripper HGD



Drive	Gripper	B1	D1	D2	D3	D4	L1	L2	≡C1	≡C2	≡C3	CRC ¹⁾	Part No.	Type
DSM-12 DSL-16	HGP-10 HGR-16 HGW-16	27	M3	M3	24	-	-	-	2.5	2.5	-	2	163 266	HAPG-17
DSM-16 DSL-20	HGP-10 HGR-16 HGW-16	28	M3	M4	33	-	-	-	2.5	3	-		163 267	HAPG-18
DSM-16 DSL-20	HGP-16 HGP-20 HGR-25 HGW-25	28	M4	M4	34	-	-	-	3	3	-		163 268	HAPG-19
DSM-25 DSL-25	HGP-16 HGP-20 HGR-25 HGW-25	38	M4	M5	41	-	-	-	3	4	-		163 269	HAPG-20
DSM-25 DSL-25	HGP-25 HGR-32 HGW-32	38	M6	M5	41	-	-	-	5	4	-		163 270	HAPG-21
DSM-32 DSL-32	HGP-25 HGR-32 HGW-32	46	M6	M5	41	-	-	-	5	4	-		163 271	HAPG-22
DSM-25 DSL-25	HGD-32	29	M3	M5	45	-	32	10	2.5	4	-		163 272	HAPG-23
DSM-32 DSL-32	HGD-50	29	M5	M5	70	-	42	12	4	4	-		163 273	HAPG-24

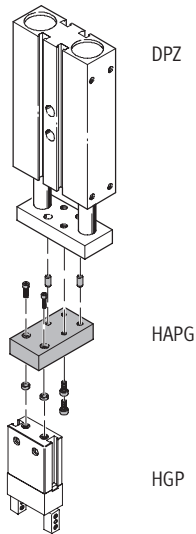
1) Corrosion resistance class 2 as per Festo standard 940 070
 Components subject to moderate corrosion stress. Externally visible parts with primarily decorative surface requirements which are in direct contact with a normal industrial environment or media such as coolants or lubricating agents.

DPZ/HGP, HGW, HGR connections

Technical data

Adapter kit HAPG

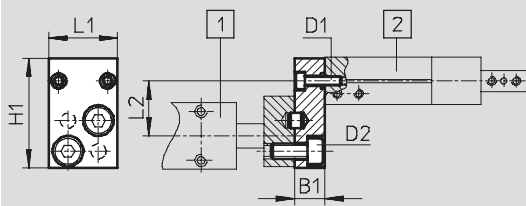
Material:
Wrought aluminium alloy, anodised
Centring pins/sleeves: High-alloy steel
Free of copper, PTFE and silicone



Dimensions and ordering data

Download CAD data → www.festo.com

HAPG-1/-2



1 Drive
2 Gripper

Drive	Gripper	B1	D1	D2	H1	L1	L2	CRC ¹⁾	Part No.	Type
DPZ-10 DPZ-16 DPZJ-10 DPZJ-16	HGP-10 HGR-16 HGW-16	10	M3	M5	36	22.6	18	2	163 250	HAPG-1
DPZ-16 DPZJ-16	HGP-16 HGP-20 HGR-25 HGW-25	10	M4	M5	36	34.6	18			

1) Corrosion resistance class 2 as per Festo standard 940 070
Components subject to moderate corrosion stress. Externally visible parts with primarily decorative surface requirements which are in direct contact with a normal industrial environment or media such as coolants or lubricating agents.

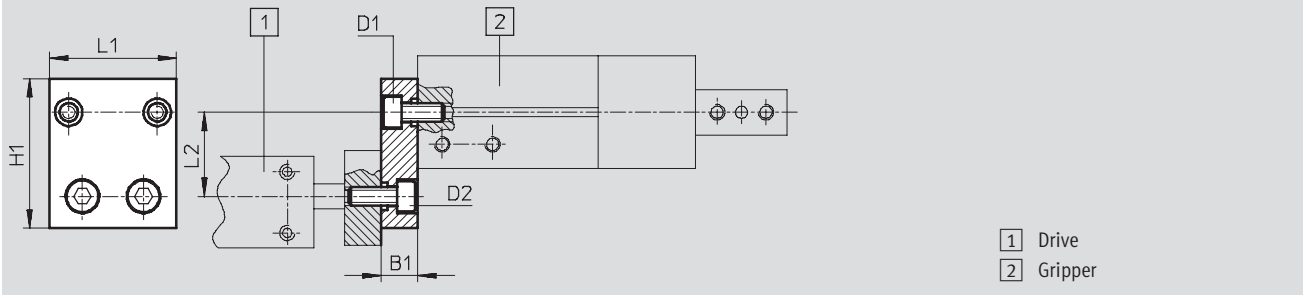
DPZ/HGP, HGW, HGR connections

Technical data

Dimensions and ordering data

Download CAD data → www.festo.com

HAPG-3/-4



1 Drive
2 Gripper

Drive	Gripper	B1	D1	D2	H1	L1	L2	CRC ¹⁾	Part No.	Type	
DPZ-20	HGP-16	12	M4	M6	37	34.6	19	2	163 252	HAPG-3	
DPZJ-20	HGP-20										
	HGR-25										
	HGW-25										
DPZ-25	HGP-25	12	M6	M6	49	41.5	27.5		2	163 253	HAPG-4
DPZ-32	HGR-32										
DPZJ-25	HGW-32										
DPZJ-32											

1) Corrosion resistance class 2 as per Festo standard 940 070

Components subject to moderate corrosion stress. Externally visible parts with primarily decorative surface requirements which are in direct contact with a normal industrial environment or media such as coolants or lubricating agents.