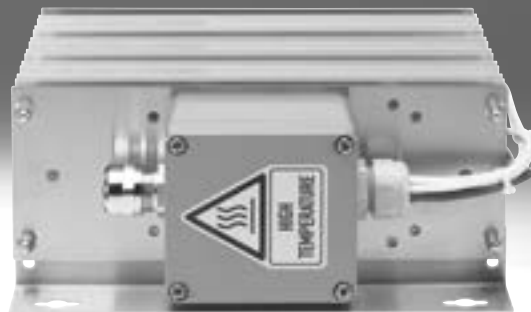


Braking resistors CACR

FESTO



Type codes

| 001 | Series |
|-------------|------------|
| CACR | Resistance |

| 002 | Connection technology 1 |
|-----------|-------------------------|
| LE | Open end |
| KL | Terminal |

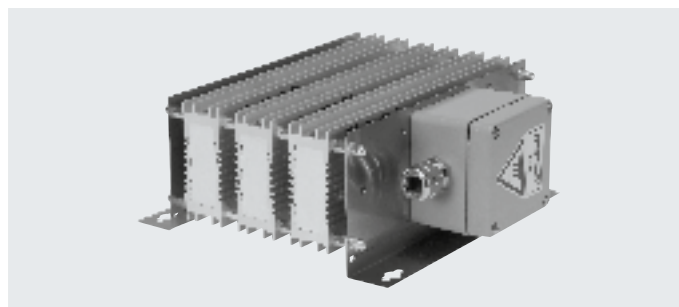
| 003 | Number of pins/wires on the left |
|----------|----------------------------------|
| 2 | 2 |

| 004 | Resistance value |
|------------|------------------|
| 33 | 33 Ohm |
| 40 | 40 Ohm |
| 50 | 50 Ohm |
| 67 | 67 Ohm |
| 72 | 72 Ohm |
| 100 | 100 Ohm |
| 240 | 240 Ohm |

| 005 | Nominal power |
|--------------|---------------|
| W500 | 500 Watt |
| W1800 | 1800 Watt |
| W2000 | 2000 Watt |
| W2400 | 2400 Watt |

Data sheet

Braking resistor
CACR-LE2
CACR-KL2



General technical data

| Type | CACR- | | | | |
|-----------------------------------|-------------|-------------------|--------------|--------------|------|
| | LE2-50-W500 | LE2-72-W500 | LE2-100-W500 | LE2-240-W500 | |
| Output at 35% duty cycle and 20°C | [W] | 500 | 500 | 500 | 500 |
| Nominal power | [W] | 200 | 200 | 200 | 200 |
| Nominal power at 380 V | [W] | 150 | 150 | 150 | 150 |
| Nominal power at 780 V | [W] | 120 | 120 | 120 | 120 |
| Pulse energy at 380 V | [Ws] | 2000 | 2000 | 2000 | 2000 |
| Pulse energy at 780 V | [Ws] | 1800 | 1800 | 1800 | 1800 |
| Resistance value | [Ω] | 50 | 72 | 100 | 240 |
| Connection technology | | Open end | | | |
| Mounting position | | Vertical | | | |
| | | Free convection | | | |
| Type of mounting | | Via accessories | | | |
| | | With through-hole | | | |
| Product weight | [g] | 550 | 550 | 550 | 550 |

| Type | CACR- | | | | | |
|-----------------------------------|--------------|-------------------|---------------|--------------|--------------|--------------------|
| | KL2-67-W1800 | KL2-100-W1800 | KL2-240-W1800 | KL2-40-W2000 | KL2-33-W2400 | |
| Output at 35% duty cycle and 20°C | [W] | 1800 | 1800 | 1800 | 2000 | 3600 ¹⁾ |
| Nominal power | [W] | 720 | 720 | 720 | 800 | 1440 |
| Nominal power at 380 V | [W] | 720 | 720 | 720 | 600 | 1440 |
| Nominal power at 780 V | [W] | 720 | 720 | 720 | 480 | 1440 |
| Pulse energy at 380 V | [Ws] | 10800 | 10800 | 10800 | 8000 | 21600 |
| Pulse energy at 780 V | [Ws] | 10800 | 10800 | 10800 | 7200 | 21600 |
| Resistance value | [Ω] | 67 | 100 | 240 | 40 | 33 |
| Connection technology | | Terminal | | | | |
| Mounting position | | Vertical | | | | |
| | | Free convection | | | | |
| Type of mounting | | Via accessories | | | | |
| | | With through-hole | | | | |
| Product weight | [g] | 4000 | 3400 | 3400 | 2400 | 8000 |

1) As per the UL and CSA approval certificates, the performance data on the rating plate is reduced to 2400 W.

Operating and environmental conditions

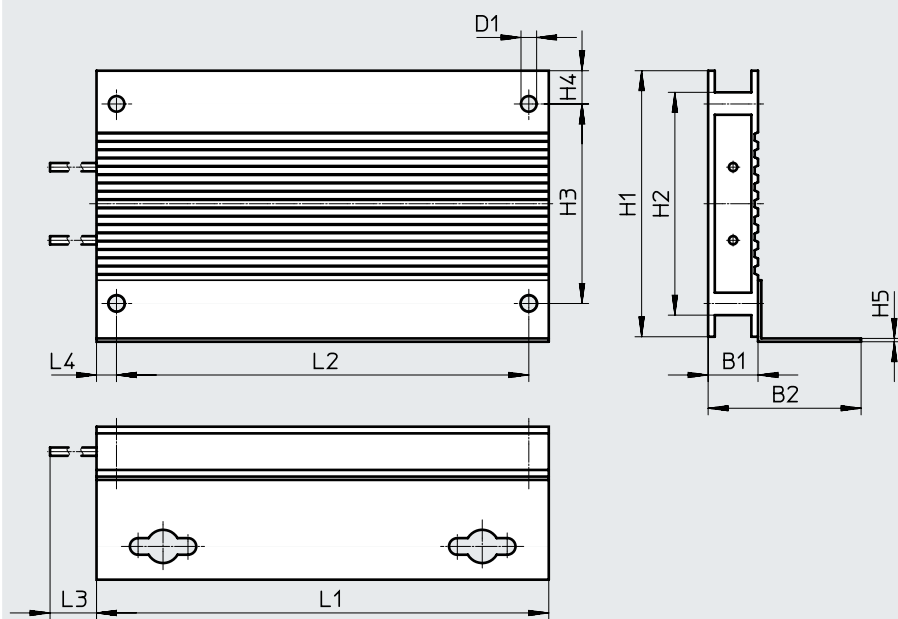
| Type | CACR- | |
|----------------------|-----------------|---------------------------|
| | LE2-.../KL2-... | |
| Ambient temperature | [°C] | 0 ... 50 |
| Degree of protection | | IP65 |
| Certification | | c UL us - Recognized (OL) |
| | | c CSA us (OL) |
| PWIS conformity | | VDMA24364 zone III |
| Note on materials | | RoHS-compliant |

Data sheet

Dimensions

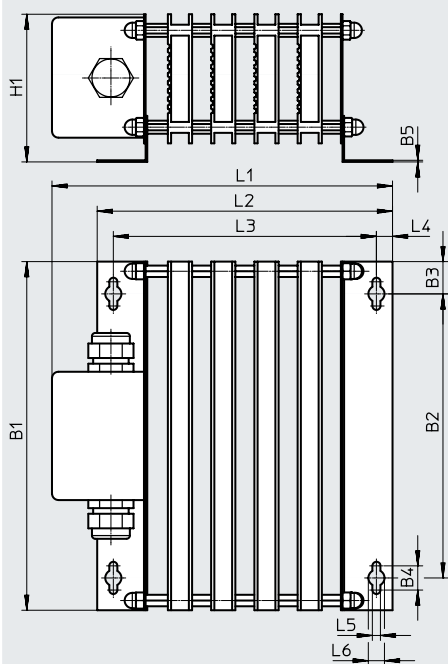
Download CAD data → www.festo.com

CACR-LE2-...-W500



| Type | B1 | B2 | D1 ∅ | H1 | H2 | H3 | H4 | H5 | L1 | L2 | L3 | L4 |
|-------------------|------|----|---------|----|------|------|----|----|-----|------|-----|----|
| | ±0.5 | | ±0.1 | | ±0.3 | ±0.2 | | | | ±0.2 | ±40 | |
| CACR-LE2-50-W500 | 15 | 46 | 4.7 | 80 | 67 | 60 | 10 | 1 | 216 | 204 | 510 | 6 |
| CACR-LE2-72-W500 | | | | | | | | | | | | |
| CACR-LE2-100-W500 | | | | | | | | | | | | |
| CACR-LE2-240-W500 | | | | | | | | | | | | |

CACR-KL2-...-W1800, CACR-KL2-40-W2000



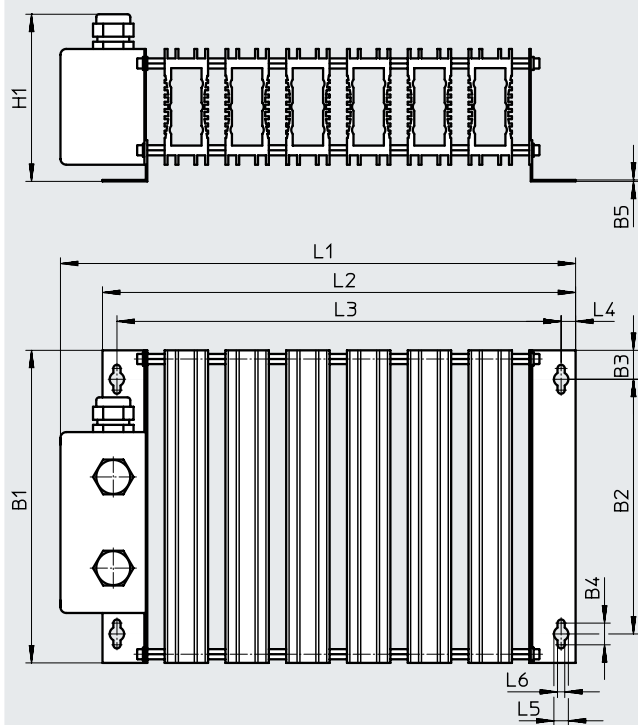
| Type | B1 | B2 | B3 | B4 | B5 | H1 | L1 | L2 | L3 | L4 | L5 | L6 |
|--------------------|-----|-----|----|----|----|------|-----|-----|-----|----|----|----|
| CACR-KL2-67-W1800 | 216 | 176 | 20 | 15 | 1 | 91.5 | 230 | 201 | 181 | 10 | 10 | 5 |
| CACR-KL2-100-W1800 | | | | | | | | | | | | |
| CACR-KL2-240-W1800 | | | | | | | | | | | | |
| CACR-KL2-40-W2000 | 216 | 176 | 20 | 15 | 1 | 91.5 | 211 | 183 | 163 | 10 | 10 | 5 |

Data sheet

Dimensions

Download CAD data → www.festo.com

CACR-KL2-33-W2400



| Type | B1 | B2 | B3 | B4 | B5 | H1 | L1 | L2 | L3 | L4 | L5 | L6 |
|-------------------|-----|-----|----|----|----|-------|-----|-----|-----|----|----|----|
| CACR-KL2-33-W2400 | 216 | 176 | 20 | 15 | 1 | 115.5 | 356 | 327 | 307 | 10 | 10 | 5 |

Data sheet

Matching braking resistor with servo drive

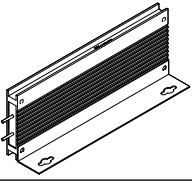
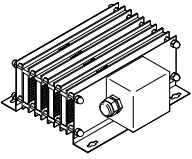
| Braking resistor | CACR- | | | | | | | |
|---------------------------------|-------------|-------------|--------------|--------------|--------------|---------------|---------------|--------------|
| | LE2-50-W500 | LE2-72-W500 | LE2-100-W500 | LE2-240-W500 | KL2-67-W1800 | KL2-100-W1800 | KL2-240-W1800 | KL2-40-W2000 |
| Suitable for servo drive | | | | | | | | |
| CMMT-AS-C2-3A | - | - | ■ | - | - | ■ | - | - |
| CMMT-AS-C4-3A | - | ■ | ■ | - | ■ | ■ | - | - |
| CMMT-AS-C2-11A | - | - | - | ■ | - | - | ■ | - |
| CMMT-AS-C3-11A | - | - | - | ■ | - | - | ■ | - |
| CMMT-AS-C5-11A | - | - | ■ | - | - | ■ | - | - |
| CMMT-AS-C7-11A | - | ■ | ■ | - | ■ | ■ | - | - |
| CMMT-AS-C12-11A | ■ | - | - | - | - | - | - | ■ |

Matching braking resistor with motor controller

| Braking resistor | CACR- | | | | |
|--------------------------------------|-----------------|-------------|--------------|-----------------|--------------|
| | LE2-50-W500 | LE2-72-W500 | KL2-67-W1800 | KL2-40-W2000 | KL2-33-W2400 |
| Suitable for motor controller | | | | | |
| CMMP-AS-C2-3A-M0 | ■ ¹⁾ | ■ | - | - | - |
| CMMP-AS-C5-3A-M0 | ■ ¹⁾ | ■ | - | - | - |
| CMMP-AS-C5-11A-P3-M0 | - | - | ■ | ■ ¹⁾ | - |
| CMMP-AS-C10-11A-P3-M0 | - | - | ■ | ■ ¹⁾ | - |
| CMMP-AS-C2-3A-M3 | ■ ¹⁾ | ■ | - | - | - |
| CMMP-AS-C5-3A-M3 | ■ ¹⁾ | ■ | - | - | - |
| CMMP-AS-C5-11A-P3-M3 | - | - | ■ | ■ ¹⁾ | - |
| CMMP-AS-C10-11A-P3-M3 | - | - | ■ | ■ ¹⁾ | - |
| CMMP-AS-C20-11A-P3 | - | - | - | - | ■ |

1) Recommended braking resistor

Ordering data

| Type | Resistance value [Ω] | Nominal power [W] | Part no. | Type |
|--|-------------------------|----------------------|----------|--------------------|
| CACR-LE2-... | | | | |
|  | 50 | 200 | 2882342 | CACR-LE2-50-W500 |
| | 72 | 200 | 1336611 | CACR-LE2-72-W500 |
| | 100 | 200 | 1336615 | CACR-LE2-100-W500 |
| | 240 | 200 | 8091543 | CACR-LE2-240-W500 |
| CACR-KL2-... | | | | |
|  | 67 | 720 | 1336617 | CACR-KL2-67-W1800 |
| | 100 | 720 | 8091545 | CACR-KL2-100-W1800 |
| | 240 | 720 | 8091544 | CACR-KL2-240-W1800 |
| | 40 | 800 | 2882343 | CACR-KL2-40-W2000 |
| | 33 | 1440 | 1336619 | CACR-KL2-33-W2400 |