

Air reservoirs

FESTO

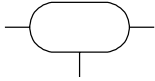


Datasheet

Function
CRVZS-0.1/0.4/0.75/2



CRVZS-5/10/20
With condensate drain



• Temperature range
-10 ... +100 °C

• Operating pressure
-0.095 ... 1.6 MPa



- To compensate for pressure fluctuations and as accumulators in the event of sudden air consumption
- To provide large volumes of compressed air for supplying fast-pulsing drives
- Delay times for pressure build-up can be achieved in combination with flow control valves

Technical data

Type	CRVZS-0.1	CRVZS-0.4	CRVZS-0.75	CRVZS-2	CRVZS-5	CRVZS-10	CRVZS-20
Pneumatic connection	G1/8	G1/4		G1/2	G1		
Condensate drain connection	-				G3/8		
Type of mounting	Via fixing clips			With through-hole			
Mounting position	Any				Condensate drain downwards		
Volume [l]	0.1 ±20%	0.4 ±20%	0.75 ±20%	2 ±10%	5 ±10%	10 ±10%	20 ±10%
Weight [g]	226	543	736	1681	3581	6459	10208

† Note: This product conforms to ISO 1179-1 and ISO 228-1.

Operating and environmental conditions

Type	CRVZS-0.1	CRVZS-0.4	CRVZS-0.75	CRVZS-2	CRVZS-5	CRVZS-10	CRVZS-20
Operating pressure	[MPa]	-0.095 ... +1.6					
	[bar]	-0.95 ... +16					
	[psi]	-13.775 ... +232					
Operating medium	Compressed air to ISO 8573-1:2010 [---:-]						
	Nitrogen						
Ambient temperature [°C]	-10 ... +100 (note operating area of tubing and piping)						
Temperature of medium [°C]	-10 ... +100 (note operating area of tubing and piping)						
Corrosion resistance class CRC ¹⁾	3						
Conforms to standard	AD 2000						
CE marking (see declaration of conformity) ²⁾	-				To EU Pressure Equipment Directive		
UKCA marking (see declaration of conformity) ²⁾	-				UK regulations for pressure equipment		
Food-safe ²⁾	See supplementary material information						
Certification ²⁾	German Technical Control Board (TÜV)						
	CRN						
Certificate-issuing authority	TSSACRNOH17477.5C				CRNOH15669.5C		

1) More information www.festo.com/x/topic/crc

2) More information: www.festo.com/catalogue/crvzs → Support/Downloads.

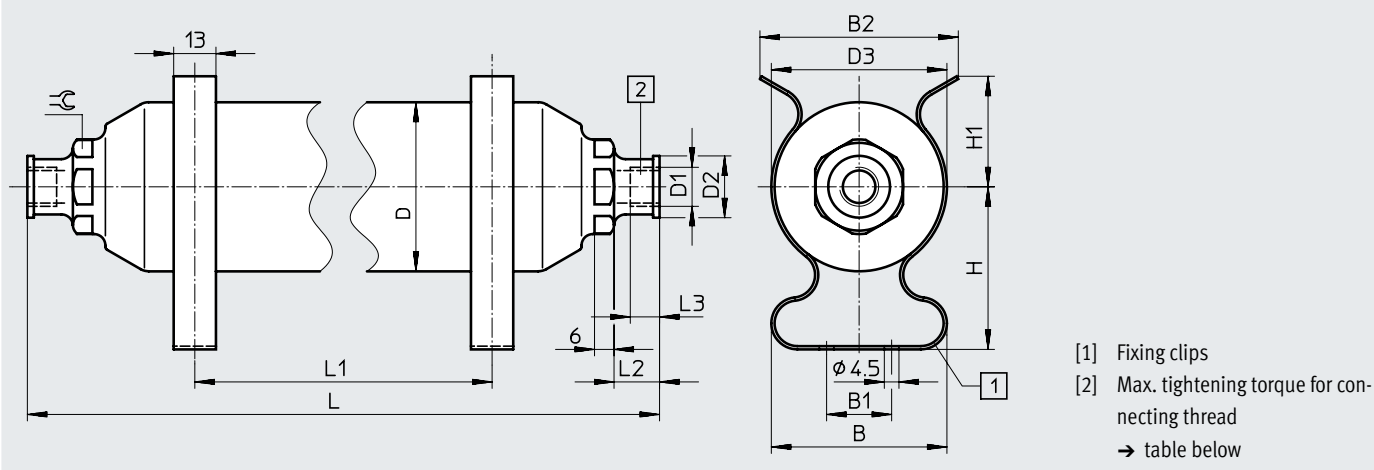
Datasheet

Materials							
Type	CRVZS-0.1	CRVZS-0.4	CRVZS-0.75	CRVZS-2	CRVZS-5	CRVZS-10	CRVZS-20
Air reservoirs	High-alloy stainless steel						
Via fixing clips	High-alloy stainless steel			-			
Note on materials	RoHS-compliant						
LABS (PWIS) conformity	VDMA24364-B1/B2-L						

Dimensions

Download CAD data → www.festo.com

CRVZS-0.1/CRVZS-0.4/CRVZS-0.75



Type	B ±2	B1	B2 ±2	D ∅	D1	D2 ∅	D3 ∅	H ±1	H1 ±1
CRVZS-0.1	51	14	-	40	G1/8	15	42	43	28
CRVZS-0.4	54	14	-	52	G1/4	19	54	50	34
CRVZS-0.75	60	20	79	70	G1/4	19	72	61	34

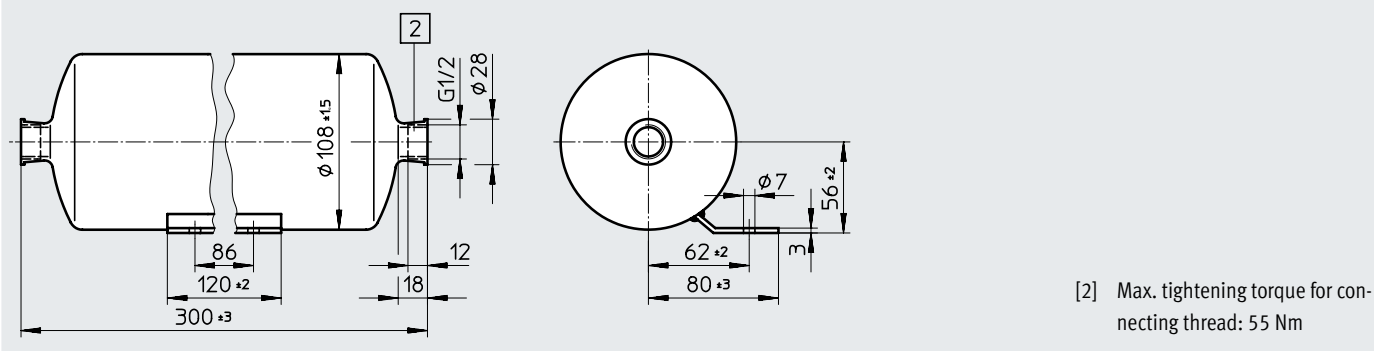
Type	L ±1	L1		L2	L3	≡	Max. tightening torque Connecting thread [Nm]
		min.	max.				
CRVZS-0.1	132	13	50	10	6	19	15
CRVZS-0.4	240	13	150	14	9	27	23
CRVZS-0.75	248	13	140	14	9	27	23

† Note: This product conforms to ISO 1179-1 and ISO 228-1.

Dimensions

Download CAD data → www.festo.com

CRVZS-2



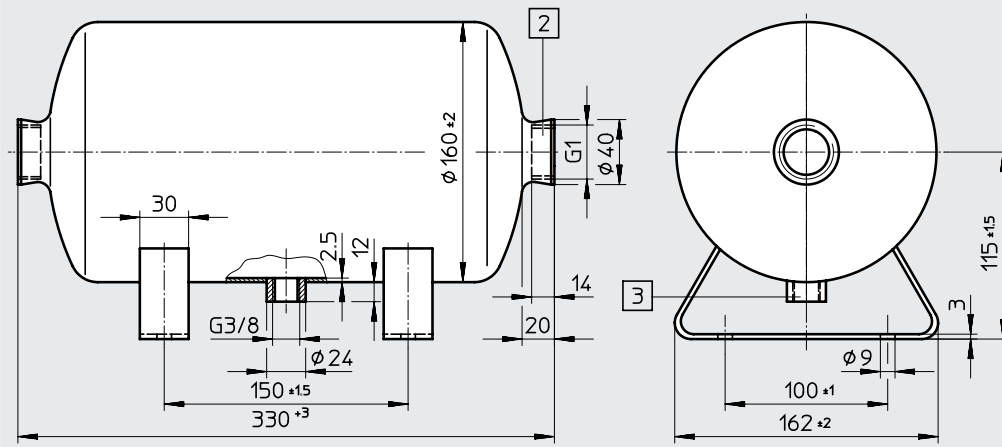
† Note: This product conforms to ISO 1179-1 and ISO 228-1.

Datasheet

Dimensions

Download CAD data → www.festo.com

CRVZS-5



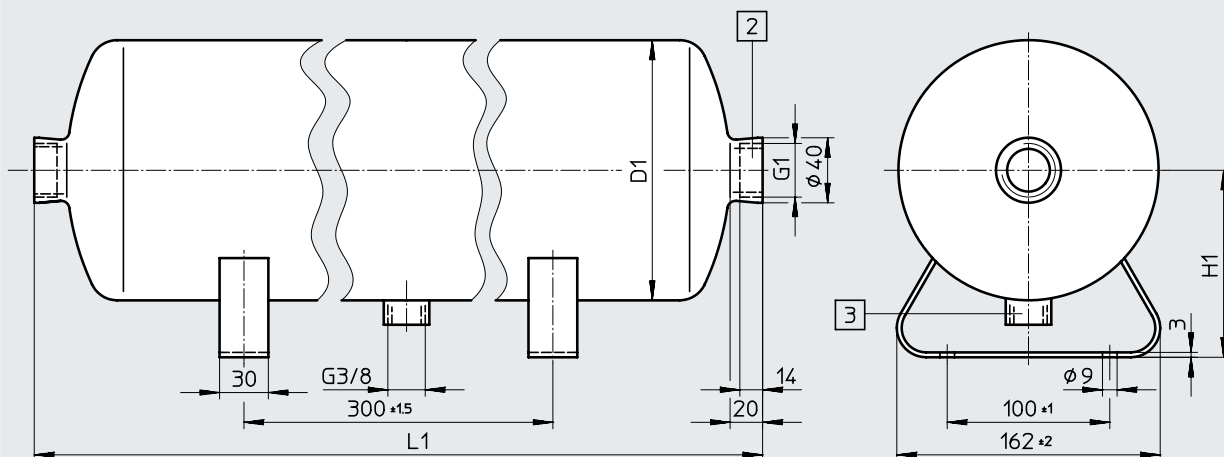
- [2] Max. tightening torque for connecting thread: 130 Nm
- [3] Max. tightening torque for condensate drain 27 Nm

Note: This product conforms to ISO 1179-1 and ISO 228-1.

Dimensions

Download CAD data → www.festo.com

CRVZS-10/CRVZS-20



- [2] Max. tightening torque for connecting thread
→ table below
- [3] Max. tightening torque for condensate drain
→ table below

Type	D1 ± 2	H1 ± 1.5	L1 ± 3	Max. tightening torque	
				Connecting thread [Nm]	Condensate drain [Nm]
CRVZS-10	160	115	558	130	27
CRVZS-20	194	136	740	130	27

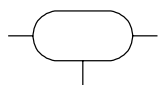
Note: This product conforms to ISO 1179-1 and ISO 228-1.


Ordering data


Volume [l]	Part no.	Type	Volume [l]	Part no.	Type
0.1 $\pm 20\%$	160233	CRVZS-0.1	5 $\pm 10\%$	192159	CRVZS-5
0.4 $\pm 20\%$	160234	CRVZS-0.4	10 $\pm 10\%$	160237	CRVZS-10
0.75 $\pm 20\%$	160235	CRVZS-0.75	20 $\pm 10\%$	534845	CRVZS-20
2 $\pm 10\%$	160236	CRVZS-2			

Datasheet

Function
With condensate drain



-  - Temperature range
-10 ... +100 °C

-  - Operating pressure
-0.095 ... 1.6 MPa



- To compensate for pressure fluctuations and as accumulators in the event of sudden air consumption
- To provide large volumes of compressed air for supplying fast-pulsing drives
- Delay times for pressure build-up can be achieved in combination with flow control valves

Technical data		
Type		VZS-20-B
Pneumatic connection		G1
Condensate drain connection		G3/8
Type of mounting		With through-hole
Mounting position		Condensate drain downwards
Volume	[l]	20 ±10%
Weight	[g]	8600

† Note: This product conforms to ISO 1179-1 and ISO 228-1.

Operating and environmental conditions		
Type		VZS-20-B
Operating pressure	[MPa]	-0.095 ... +1.6
	[bar]	-0.95 ... +16
	[psi]	-13.775 ... +232
Operating medium		Compressed air to ISO 8573-1:2010 [---:--]
		Nitrogen
Ambient temperature	[°C]	-10 ... +100 (note operating area of tubing and piping)
Temperature of medium	[°C]	-10 ... +100 (note operating area of tubing and piping)
Corrosion resistance class	CRC ¹⁾	4
Conforms to standard		EN 286-1
CE marking (see declaration of conformity)		To EU Simple Pressure Vessels Directive

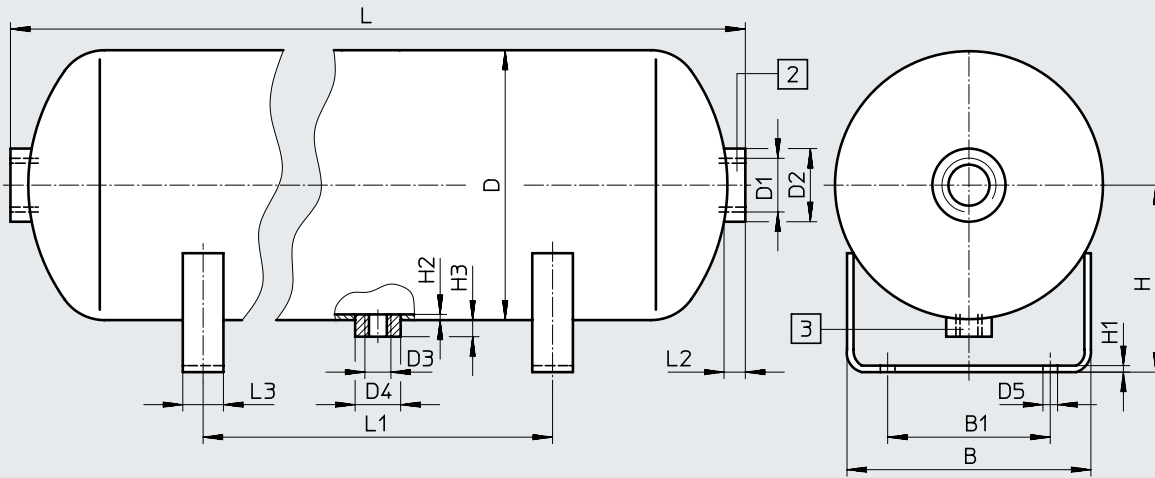
1) More information www.festo.com/x/topic/crc

Materials	
Air reservoirs	Powder-coated steel

Datasheet

Dimensions

Download CAD data → www.festo.com



[2] Max. tightening torque for connecting thread
→ table below

[3] Max. tightening torque for condensate drain
→ table below

Type	B ±2	B1 ±1	D ±4 ∅	D1	D2 ∅	D3	D4 ∅	D5 ±0.5 ∅	H ±1.5	H1
VZS-20-B	150	100	206	G1	44.5	G3/8	28	9	146.5	4

Type	H2 min.	H3	L ±6	L1 ±1.5	L2	L3	Max. tightening torque	
							Connecting thread [Nm]	Condensate drain [Nm]
VZS-20-B	2	12	696	300	18	25	130	27

† Note: This product conforms to ISO 1179-1 and ISO 228-1.

Ordering data

Volume [l]	Part no.	Type
20 ±10%	192161	VZS-20-B