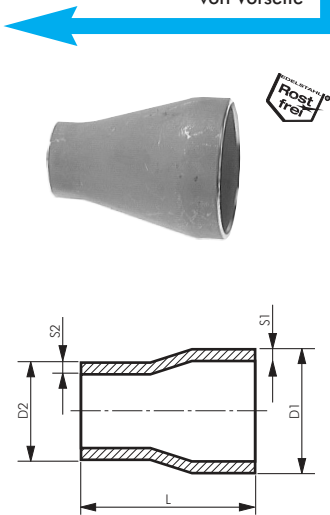


Schweißfittings

Fortsetzung
von Vorseite



Reduzierstücke konzentrisch

EN 10253 Typ B (DIN 2616)

| Typ | Typ | Typ P235GH-TC1 Stahl schwarz | Anschluss D1 x S1 | Anschluss D2 x S2 | L | Ausführung |
|-----------------|-----------------|---------------------------------|----------------------|----------------------|-----|------------|
| 1.4571* | 1.4541 | --- | 139,7 x 2,6 | 60,3 x 2,0 | 127 | geschweißt |
| R139,726/60KA6 | R139,726/60KA4 | --- | x 4,0 | x 2,9 | --- | nahtlos |
| R139,740/60KA6 | R139,740/60KA4 | R139,740/60KST | 139,7 x 2,9 | 76,1 x 2,3 | 127 | geschweißt |
| R139,729/76KA6 | R139,729/76KA4 | --- | x 4,0 | x 2,9 | --- | nahtlos |
| R139,740/76KA6 | R139,740/76KA4 | R139,740/76KST | x 6,3 | x 5,0 | --- | nahtlos |
| --- | R139,763/76KA4 | R139,763/76KST | x 10,0 | x 7,1 | --- | nahtlos |
| R139,7100/76KA6 | --- | R139,7100/76KST | 139,7 x 2,9 | 88,9 x 2,6 | 127 | geschweißt |
| R139,729/88KA6 | R139,729/88KA4 | --- | x 4,0 | x 3,2 | --- | nahtlos |
| R139,740/88KA6 | R139,740/88KA4 | R139,740/88KST | 139,7 x 2,9 | 114,3 x 2,6 | 127 | geschweißt |
| R139,729/114KA6 | R139,729/114KA4 | --- | x 4,0 | x 3,6 | --- | nahtlos |
| R139,740/114KA6 | R139,740/114KA4 | R139,740/114KST | 168,3 x 2,6 | 88,9 x 2,6 | 140 | geschweißt |
| R168,326/88KA6 | R168,326/88KA4 | --- | x 2,9 | x 2,3 | --- | geschweißt |
| R168,329/88KA6 | --- | --- | x 4,5 | x 3,2 | --- | nahtlos |
| R168,345/88KA6 | R168,345/88KA4 | R168,345/88KST | 168,3 x 2,6 | 114,3 x 2,6 | 140 | geschweißt |
| R168,326/114KA6 | R168,326/114KA4 | --- | 168,3 x 2,6 | 139,7 x 2,6 | 140 | geschweißt |
| R168,326/139KA6 | --- | --- | x 4,5 | x 4,0 | --- | nahtlos |
| R168,345/139KA6 | R168,345/139KA4 | R168,345/139KST | 219,1 x 2,9 | 114,3 x 2,6 | 152 | geschweißt |
| R219,129/114KA6 | R219,129/114KA4 | --- | 219,1 x 2,9 | 139,7 x 2,6 | 152 | geschweißt |
| R219,129/139KA6 | R219,129/139KA4 | --- | --- | 168,3 x 2,9 | 152 | geschweißt |
| R219,129/168KA6 | --- | --- | x 6,3 | x 4,5 | --- | nahtlos |
| R219,163/168KA6 | R219,163/168KA4 | R219,163/168KST | --- | --- | --- | --- |

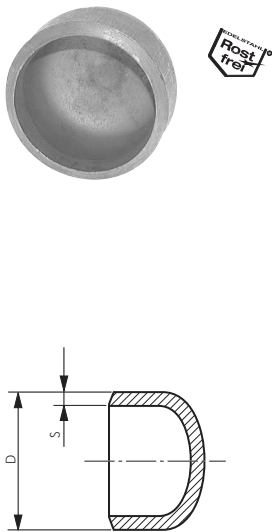
* Standardlieferprogramm

4

Rohrkappen

DIN 28011 / EN 10253 Typ B (DIN 2617)

Normen: Rohrkappen aus Edelstahl: ähnlich DIN 28011
Rohrkappen aus Stahl: EN 10253 Typ B (DIN 2617)



| Typ | Typ | Anschluss D x S | Typ P265GH Stahl schwarz | Anschluss D x S |
|----------------|----------------|--------------------|-----------------------------|--------------------|
| 1.4571* | 1.4541 | --- | --- | --- |
| VK21,320 ESA6 | VK21,320 ESA4 | 21,3 x 2,0 | VK21,320ST | 21,3 x 2,0 |
| VK26,920 ESA6 | --- | 26,9 x 2,0 | VK26,923ST | 26,9 x 2,3 |
| VK33,720 ESA6 | VK33,720 ESA4 | 33,7 x 2,0 | VK33,726ST | 33,7 x 2,6 |
| VK33,730 ESA6 | VK33,730 ESA4 | 33,7 x 3,0 | VK33,740ST | 33,7 x 4,0 |
| VK42,420 ESA6 | VK42,420 ESA4 | 42,4 x 2,0 | VK42,426ST | 42,4 x 2,6 |
| VK42,430 ESA6 | VK42,430 ESA4 | 42,4 x 3,0 | --- | --- |
| VK48,320 ESA6 | VK48,320 ESA4 | 48,3 x 2,0 | VK48,326ST | 48,3 x 2,6 |
| VK48,330 ESA6 | VK48,330 ESA4 | 48,3 x 3,0 | VK48,340ST | 48,3 x 4,0 |
| VK60,320 ESA6 | VK60,320 ESA4 | 60,3 x 2,0 | VK60,329ST | 60,3 x 2,9 |
| VK60,330 ESA6 | VK60,330 ESA4 | 60,3 x 3,0 | VK60,345ST | 60,3 x 4,5 |
| VK76,120 ESA6 | VK76,120 ESA4 | 76,1 x 2,0 | VK76,129ST | 76,1 x 2,9 |
| VK76,130 ESA6 | VK76,130 ESA4 | 76,1 x 3,0 | VK76,150ST | 76,1 x 5,0 |
| VK88,920 ESA6 | VK88,920 ESA4 | 88,9 x 2,0 | --- | --- |
| VK88,930 ESA6 | VK88,930 ESA4 | 88,9 x 3,0 | VK88,932ST | 88,9 x 3,2 |
| VK114,320 ESA6 | VK114,320 ESA4 | 114,3 x 2,0 | --- | --- |
| VK114,330 ESA6 | VK114,330 ESA4 | 114,3 x 3,0 | VK114,336ST | 114,3 x 3,6 |
| VK139,730 ESA6 | VK139,730 ESA4 | 139,7 x 3,0 | VK139,740ST | 139,7 x 4,0 |
| VK168,330 ESA6 | VK168,330 ESA4 | 168,3 x 3,0 | VK168,345ST | 168,3 x 4,5 |
| VK219,130 ESA6 | VK219,130 ESA4 | 219,1 x 3,0 | VK219,163ST | 219,1 x 6,3 |
| VK273,030 ESA6 | VK273,030 ESA4 | 273,0 x 3,0 | VK273,063ST | 273,0 x 6,3 |
| VK323,930 ESA6 | VK323,930 ESA4 | 323,9 x 3,0 | VK323,971ST | 323,9 x 7,1 |
| VK355,630 ESA6 | VK355,630 ESA4 | 355,6 x 3,0 | --- | --- |
| VK406,430 ESA6 | VK406,430 ESA4 | 406,4 x 3,0 | VK406,488ST | 406,4 x 8,8 |
| VK508,030 ESA6 | VK508,030 ESA4 | 508,0 x 3,0 | --- | --- |

* Standardlieferprogramm



Alle Angaben verstehen sich als unverbindliche Richtwerte! Für nicht schriftlich bestätigte Datenauswahl übernehmen wir keine Haftung. Druckangaben beziehen sich, soweit nicht anders angegeben, auf Flüssigkeiten der Gruppe II bei +20°C.